

# INSTRUCTION MANUAL

## QUICKSILVER

1/5th SCALE GAS DRAGSTER



**PRIMALRC**

[WWW.PRIMALRC.COM](http://WWW.PRIMALRC.COM)

## **Safety Guidelines**

### **WARNING: RISK OF FIRE, INJURY OR DEATH**

The dragster is not a toy. The dragster requires an advanced set of skills and is not intended for use by children or minors under the age of 18. The dragster is intended to be purchased and operated by competent, adult R/C users possessing qualified skills and experienced driving ability. The user of this vehicle should be practical, mature, intelligent, and display good sense.

Caution must be taken to ensure the safety of yourself and others around you.

This dragster is very large and is capable of high speed and quick acceleration.

Collisions of a critical nature (injury, death, severe property damage) can result if the dragster is operated in a careless or unsafe manner.

Always take great care to make sure all systems are working properly before operating. The user must be aware of their limits and abilities.

Make certain to have adequate space where the dragster can be run safely.

The dragster requires the use of 2 stroke gasoline for its engine. Gas engines and 2 stroke gasoline have a very high risk of fire and injury if they are handled improperly. The dragster comes equipped with a NIMH receiver battery. Please read and understand the proper procedures for charging the battery.

The user must read and understand all of the included instructions regarding the proper operation, maintenance, and safety precautions in using a 2 cycle gas engine and charging batteries.

### **Terms of Use**

This product is sold by Primal RC with the understanding that the buyer accepts full responsibility for all actions associated with its use. Serious injury, property damage, or death can result from driving the dragster or using any of the included accessories in an unsafe or irresponsible way. The buyer assumes all liability with this product including any actions that occur due to a failure to follow its safety and operating instructions resulting in unsafe or improper use or any action that violates pertinent laws or regulations. Primal RC, and all Primal RC dealers, will not be held accountable under any circumstances with the use of this product resulting in property damage, personal injury, or death. This includes any willful or unintentional damages that may arise out of the assembly or use of the product or its accessories. The user accepts all liability by the act of using and operating the dragster and releases Primal RC, and all Primal RC dealers of any and all liability associated with its use. Primal RC requests that you do not use this product if you as a user do not accept liability of ownership. If you don't accept liability, please do not open any of the enclosed accessories, do not attempt to start it, and contact us to make arrangements to return the product. Used vehicles cannot be accepted for returns or exchanges under any circumstances. The material included in this manual can be changed without notice. Primal RC reserves the right to make improvements to the products with no commitment to integrate those improvements into products sold previously. If you have any questions regarding this Terms of Use, stop and do not go any further. Do not run your vehicle and contact Primal RC at [www.PrimalRC.com](http://www.PrimalRC.com).

### **Safety is your responsibility**

- Because your model is controlled by radio, it is subject to radio interference from many sources that are beyond your control. Radio interference can cause momentary losses of radio control. Always allow a safety margin in all directions around the model in order to prevent collisions.
- Range test your radio system in the area that you will be running the model to ensure that you have the range that covers the area you want to drive. After range testing, drive slowly in the area at first to make sure there is no interference that can cause momentary lapses of control.
- Always test the failsafe system before every run to make sure it's working properly (Instructions are available in the radio manual).
- Always use new or freshly charged batteries in your model to maximize signal power output and range.
- The motor and exhaust pipe can become hot during use. Be careful to avoid getting burned.
- Choose the right location to drive. Your model is not intended for use on public roads or congested areas where its operation can conflict with or disrupt pedestrian or vehicular traffic. This is to prevent the possibility of injury or death resulting from collision with the model by another human being or animal.
- Do not drive the dragster by yourself. Bring a friend along to act as a spotter to alert you if a person or animal is approaching.
- Do not operate your model at night or anytime your line of sight to the model may be obstructed or impaired in any way.
- Do not drive the model close to you where a mistake or loss of control could cause the model to collide with you or any spectator.
- Always carefully inspect your model for damage or loose components before operating. Do not drive the model if it is damaged in any way. Tighten any loose hardware. Tighten the wheel nuts before each running session and periodically check the tightness of the wheel nuts while you are running.
- Never pick up the model by its tires or wheels. Always keep your hands safely clear of moving parts whenever the batteries are plugged in.
- Do not stand directly behind the dragster while driving to avoid personal injury from rocks, sticks, or other thrown objects, especially during full throttle starts. Keep any spectators and animals at a safe distance. Wearing eye protection is recommended.
- Most importantly, use good common sense at all times.
- Switch on your transmitter first before switching on the receiver/servo switch to prevent runways and erratic performance.
- If you make changes or adjustments not shown in the instruction manual, your vehicle may be damaged and may cause injury to yourself or others.

**Copyright 2016 Primal RC**



## Table of Contents

1	Before you Drive
2	Fuel Handling
3	Start-up Guide
7	Maintenance
9	Included Items
9	Equipment Needed
10	Radio Operations
11	Assembly
11	11 Gear Box
12	12 Chassis
13	13 Rear Arm
16	16 Engine
22	22 Receiver Box
23	23 Fuel Hoses
24	24 Front End
29	29 Lower Chassis
31	31 Body
35	35 Front Tire
35	35 Rear Tire
37	Exploded View
39	Parts List

*Thank you for purchasing the Primal RC 1/5 Scale Gas Dragster. The dragsters quality construction and high speed performance will bring many years of enjoyment.*

*This manual contains the instructions you need to operate and maintain your dragster. It is very important that you take the time to read and understand the instruction and radio manual. Make sure you read and follow the precautions and warnings in the Safety Guidelines section. These guidelines will educate you on how to run your dragster safely and maximize its longevity and performance.*

*This dragster requires advanced R/C user experience and expertise.*

*You must be 18 years of age or older to operate this vehicle. Even*

*if you are an experienced R/C driver, it is important to read and follow the safety guidelines in this manual.*

*If you have any questions regarding this vehicle or this manual: Stop, do not use this vehicle and contact us at [www.PrimalRC.com](http://www.PrimalRC.com).*

*Thank you again for your purchase and we look forward to exceeding your expectations.*

### Before You Drive

It is extremely important that you read, understand, and follow all instructions in the manuals included with this product in order to prevent serious damage to your dragster, yourself, and your property. If the user fails to follow these instructions, it will be considered negligence.

Before starting your dragster, read and understand all manuals and familiarize yourself with the model completely. If you decide this model is not the right choice for you or you do not want to assume responsibility for your safety, then do not attempt to start it. Do not run the vehicle at all and please contact us to make arrangements to return your vehicle.

If your vehicle arrives with damage from transit please do not run the vehicle and contact us.

Used vehicles cannot be accepted for returns or exchanges under any circumstances.

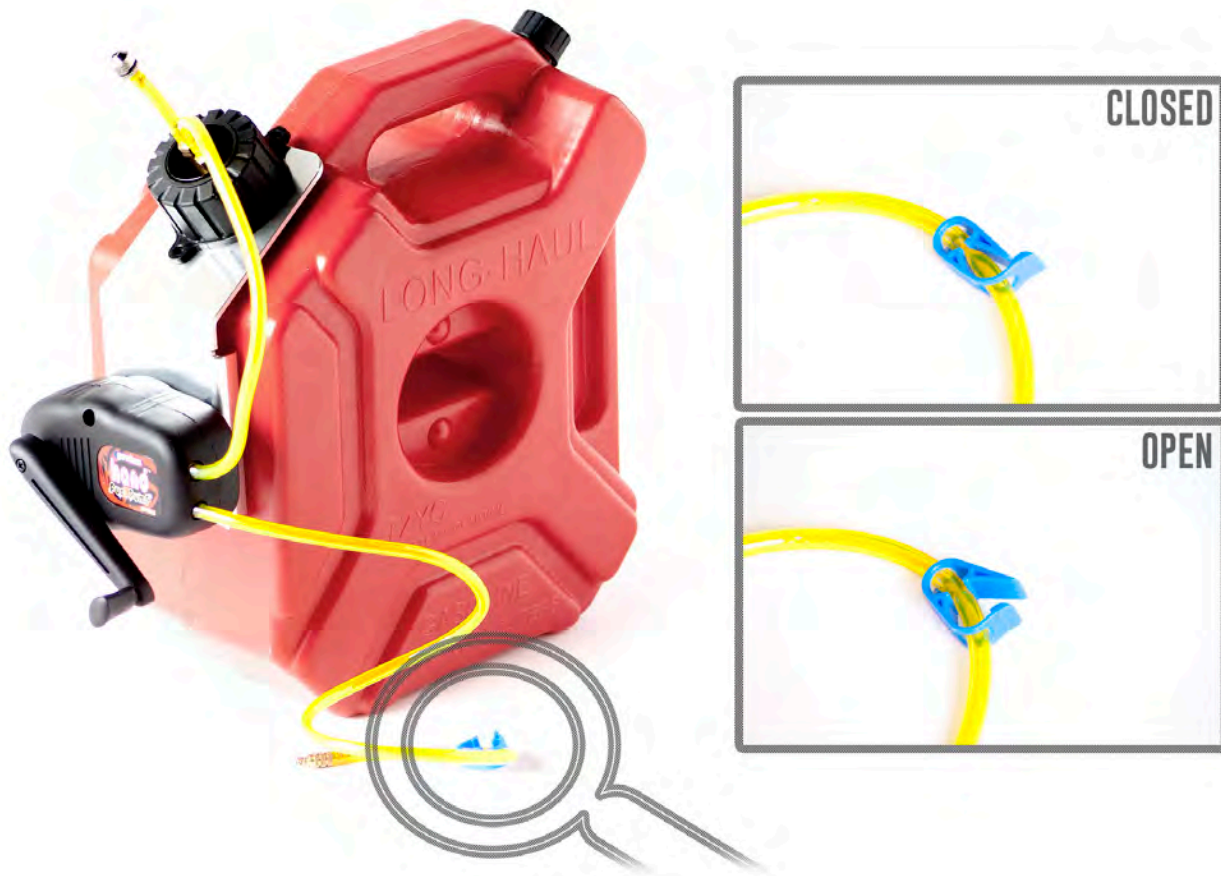
If you have any questions about your dragster, please email us at [Sales@PrimalRC.com](mailto:Sales@PrimalRC.com). Maintenance and replacement parts may be purchased directly from [www.PrimalRC.com](http://www.PrimalRC.com).

Your satisfaction is our primary goal at Primal RC!

## Fuel for the Dragster

- Use 92-98 octane (US 87-94) pump gasoline.
- Use any high quality two stroke cycle oil.
- Use gasoline and oil mixed in the ratio of 25:1. (25 parts gas to 1 part oil).
- ALWAYS use the cut off clamp (supplied) on the output hose of the red gas can.
- WARNING-FIRE RISK: ALWAYS have the clamp in the CUT-OFF position unless filling the gas tank. (If left alone, gas can syphon out and cause a fire).

## Fuel Container & Cut off clamp



### WARNING: RISK OF FIRE, INJURY OR DEATH

- A mixture of gasoline and two stroke oil is used for fuel. Please use caution when handling fuel.
- Keep fuel away from open flames, heating sources, direct sunlight, smoke, batteries, or any ignition source. Store fuel in a well ventilated area.
- Store fuel and dragster in a location children can't access.
- Keep fuel and dragster away from children.
- Gasoline is flammable, toxic, and can produce noxious vapors. The exhaust emitted from the dragster can also produce noxious vapors. These vapors can irritate eyes, respiration, and be dangerous to your health. Always operate the dragster in a well ventilated area.
- The 2 cycle engine that comes on this model only uses a mix of gasoline and 2 stroke oil. The oil/gas mix is how the engine is lubricated. Never run straight gas through the engine as catastrophic damage may result. Never use glow fuels intended for R/C car use.
- Please empty the fuel tank before storing the dragster.

## Check list before every dragster run

Make sure:

1. The receiver battery is charged fully.  
(If the receiver battery is not fully charged, it may result in a loss of control causing injury to yourself or others.)
2. The transmitter batteries are at full strength.  
(If the transmitter battery is not fully charged, it may result in a loss of control causing injury to yourself or others.)
3. To always use the correct charger for the Nickel Metal Hydride Batteries. DO NOT use a Nickel Cadmium battery charger for Nickel Metal Hydride batteries. Using anything other than the specific charger for Nickel Metal Hydride batteries, will result in the batteries being damaged.
4. To check all hardware is tight including screws, nuts, bolts, and wheel nuts.
5. The failsafe is tested and is in good working condition.
6. The steering and brakes are tested and in good working condition.
7. The gas tank is filled with the correct gasoline/oil mix.

## Fill the gas tank on the Dragster

1. Fill the gasoline/oil mixture in the red gas can (supplied).
2. Insert the gas supply hose into the gas fill connector on the dragster.
3. Change the clamp to the OPEN position on the red gas can hose.
4. Fill the gas tank on the dragster by turning the pump handle on the red gas can.
5. Fill the tank  $\frac{3}{4}$  full. DO NOT fill the tank all the way or overflow will occur.
6. Remove the gas filler hose from the connector on the dragster.
7. Change the clamp to the CUT-OFF position on the red gas can hose. (If left alone, gas can syphon out and cause a fire.)

## Getting Ready to Drive the Dragster

1. Switch the transmitter and receiver switch to the ON position.
2. Test the steering and throttle/brake servos are both working correctly and responding to the transmitter.
3. Test that the fail-safe is working properly by switching off the transmitter and checking to see that the throttle/brake servo is in the braking position. If this does not occur, TURN THE DRAGSTER OFF and use the radio instruction manual to troubleshoot the failsafe impairment. DO NOT ATTEMPT TO RUN THE DRAGSTER WITHOUT THE FAILSAFE WORKING PROPERLY.
4. You can now start the engine



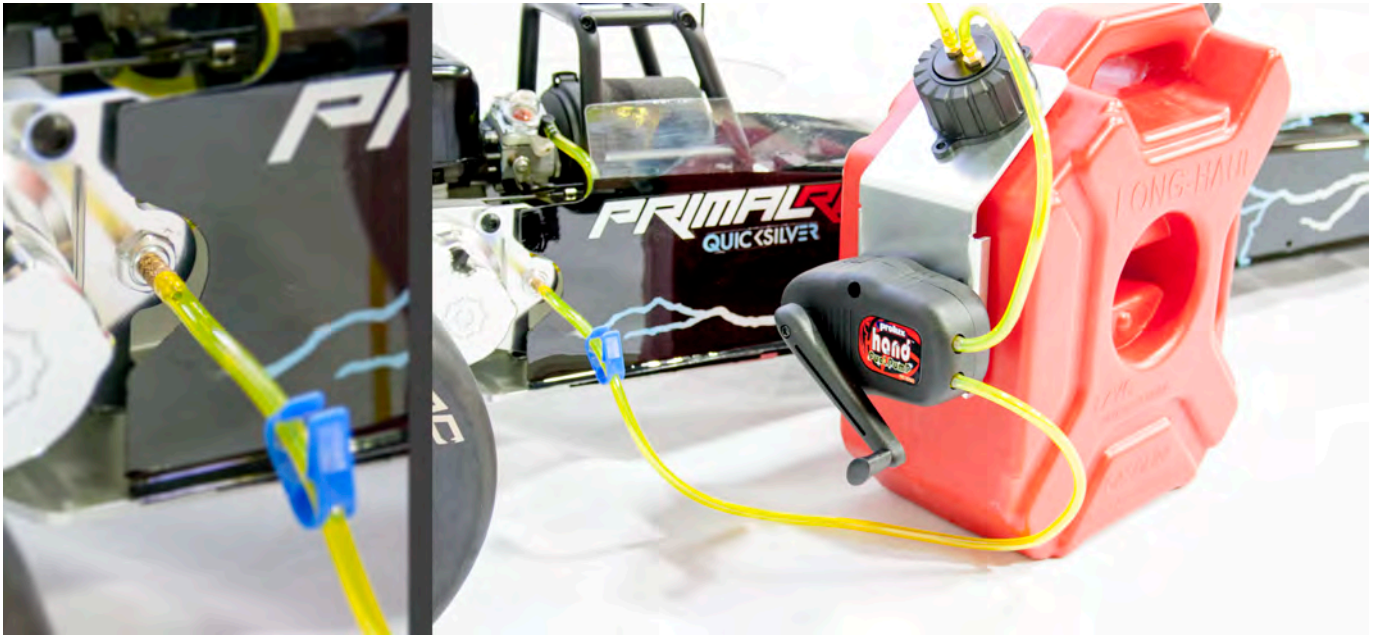
## After you run the Dragster

1. Turn the engine OFF.
2. Drain the gas tank before storing the dragster.

## Starting and Turning off your engine

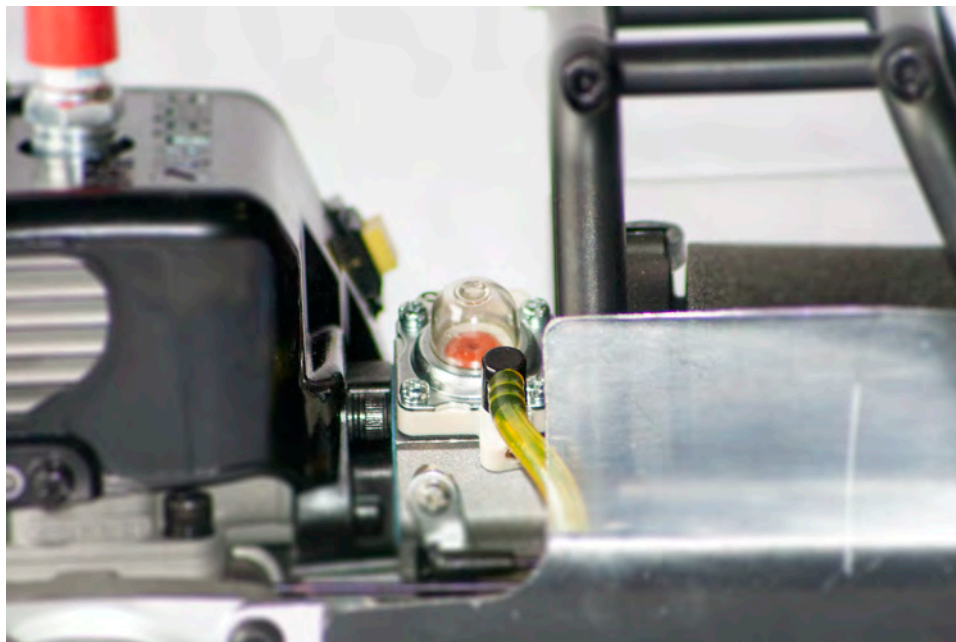
### Fill Fuel Tank

Hook up hoses and open the cut-off clamp then crank hand pump. Close cut-off clamp before disconnecting gasoline fill hose.



### Prime the engine

In order to prime the engine, fill the tank with fuel and push the primer bulb until fuel shows in the return tube. When you see fuel in the return tube stop pushing the primer bulb.



**Turn on Radio**

Move the power switch to the on position.



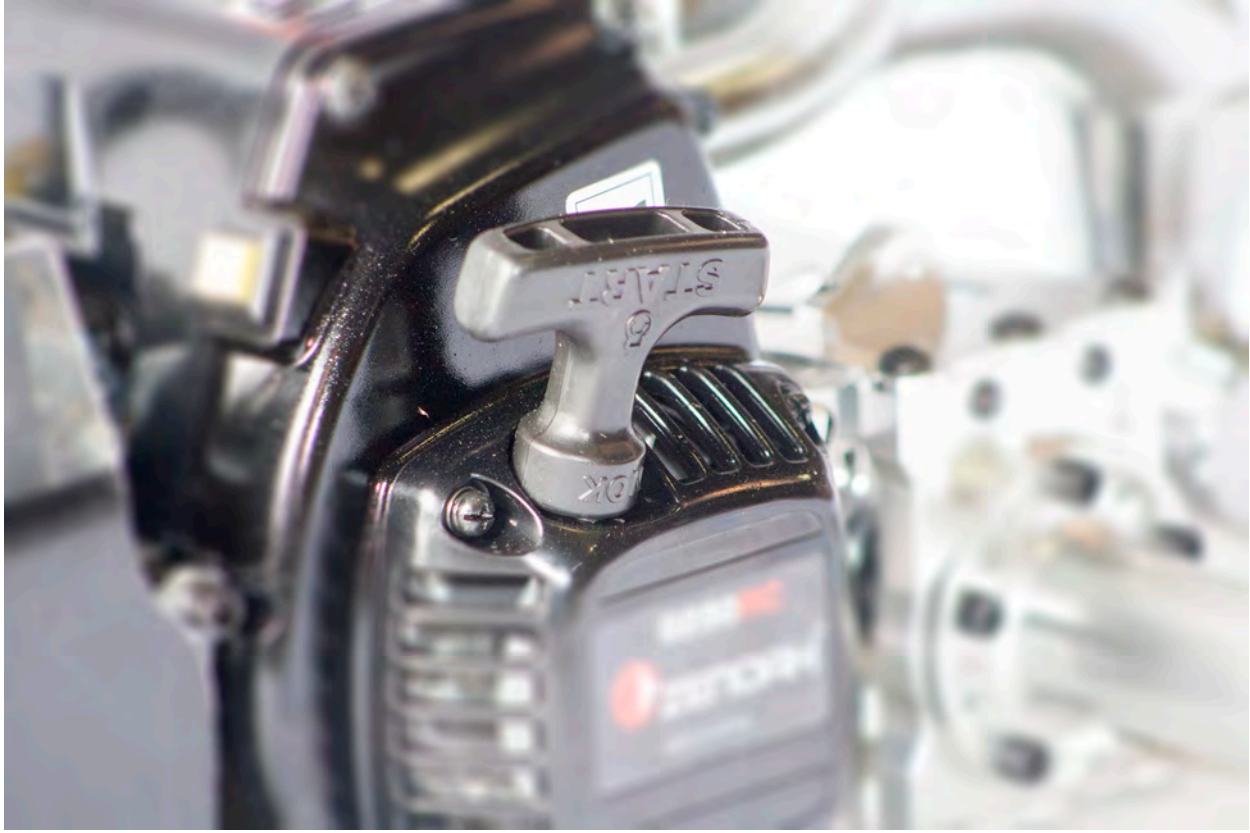
**Turn on Dragster**

Move the power switch to the on position. Verify the radio and dragster are communicating.



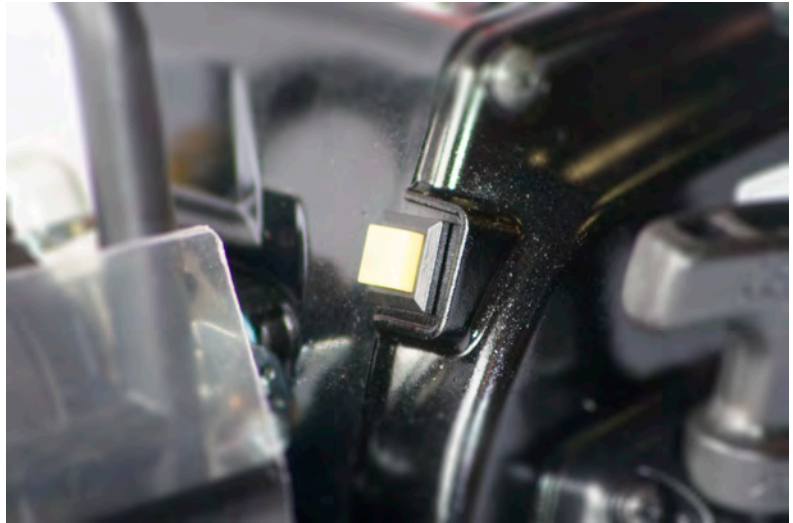
## Engine Start

Start the engine by pulling the starter cord in short pulls.



## Turning off the Engine & Dragster

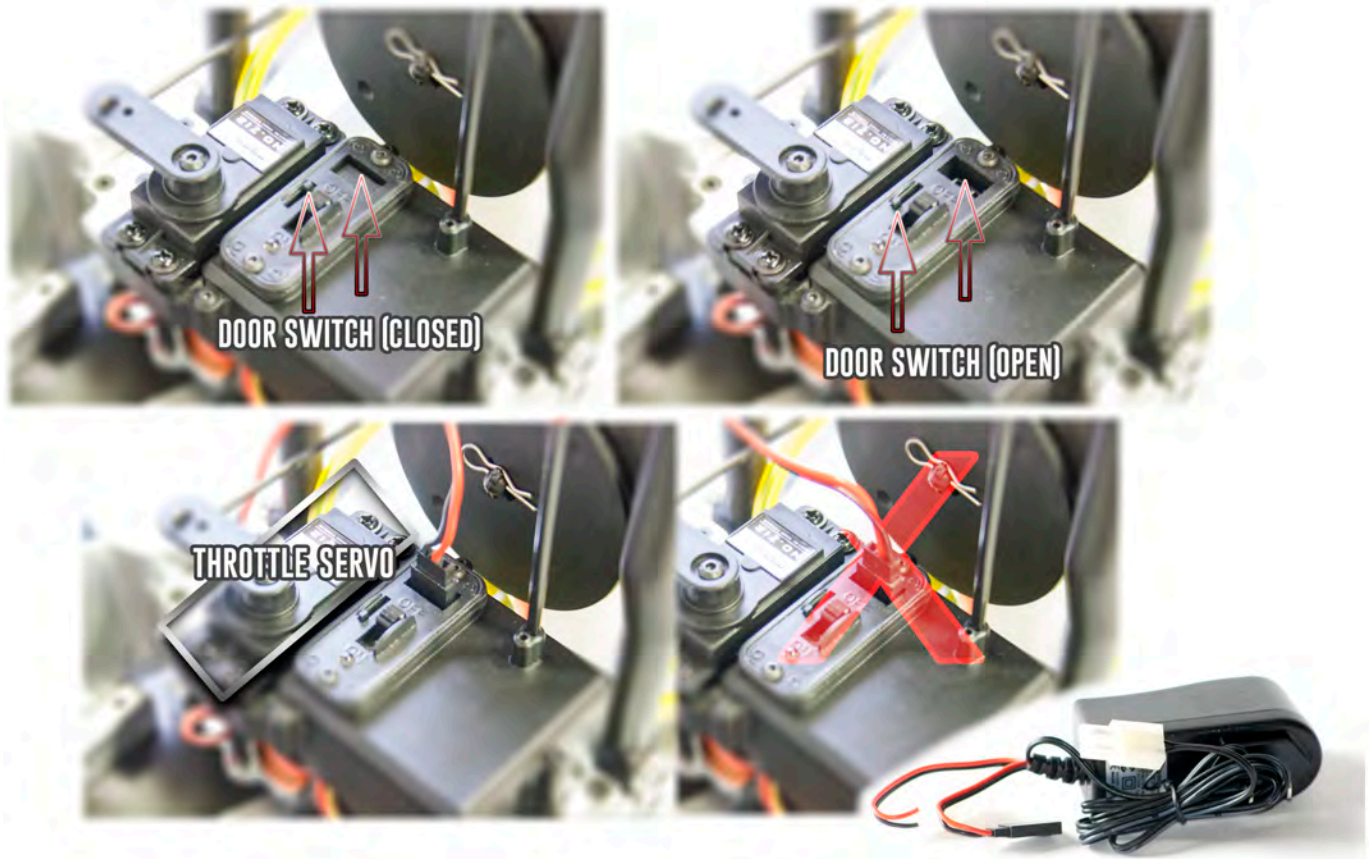
1. Press the stop button on the engine.
2. Turn the switch on the dragster to the OFF position.
3. Turn the switch on the radio to the OFF position.
4. Drain fuel tank before storing.
  - a. Drain the fuel tank by hooking up the fuel container pump and cranking the pump in reverse. For long term storage run the engine until there is no gasoline left in the tank.



## Maintenance

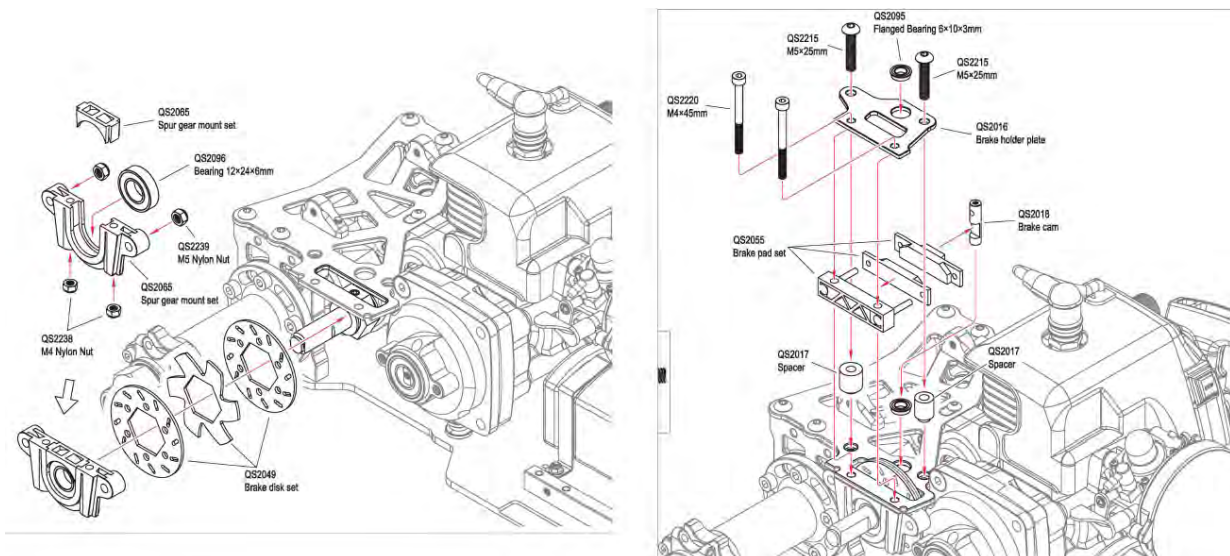
### Charging Receiver Battery

The supplied charging cable plugs into the receiver charging port. This port has a sliding door, the open and close switch is next to the on/off switch. The charging cable must be plugged in with the black wire facing the throttle servo. This plug can be plugged in backwards and can cause damage to the battery.



### Brake Maintenance

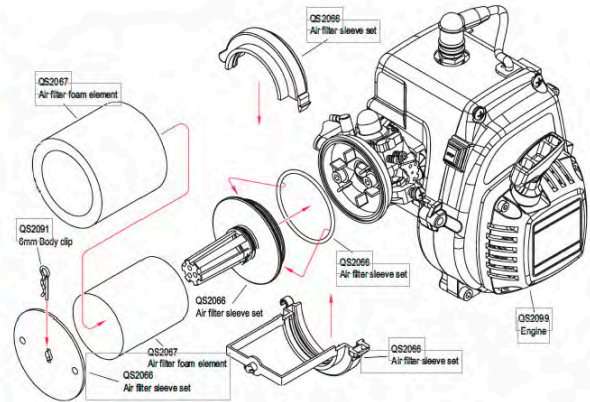
Brakes will wear with use, they will need to be cleaned, adjusted and replaced in regular intervals to maintain optimum brake performance.



## Air Filter Maintenance

### 1. Cleaning the air filter

- a. Remove the air filter element.
- b. The outer element can be cleaned with soap and water. Wait for the element to dry before reinstalling and running your dragster
- c. The inner element should be cleaned with soap and water. After drying, apply Air Filter oil evenly.
- d. Reinstall complete air filter element.



## General Maintenance

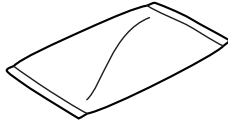
It is extremely important to make sure all nuts, bolts, screws and other hardware are tight before each use. The rear wheel nuts should be checked before each run. It is strongly recommended to use a medium strength thread locker such as blue loctite on all other nuts and bolts.



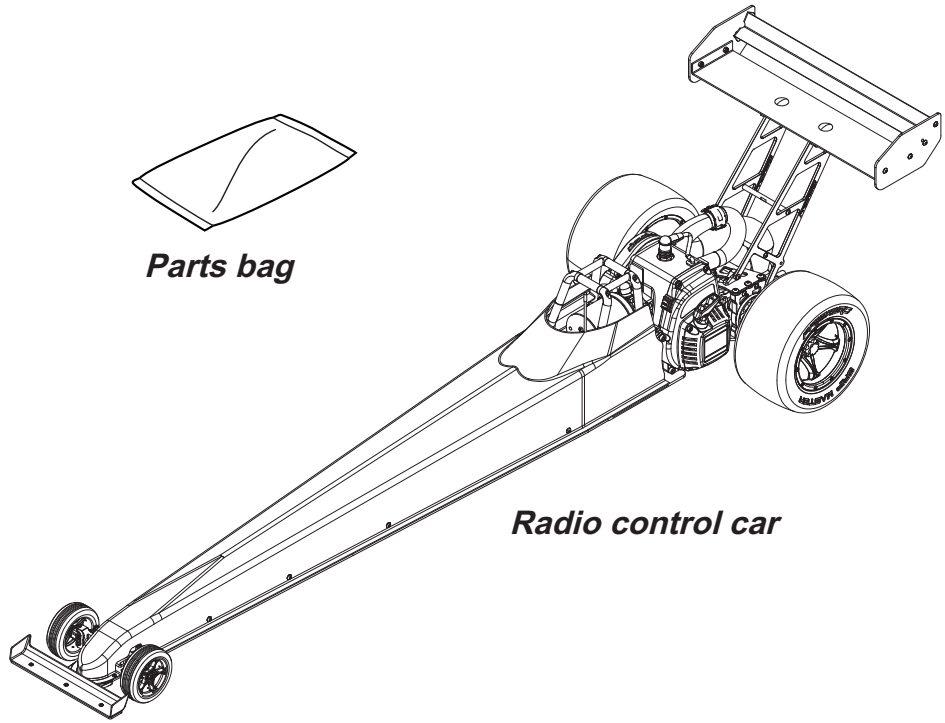
# Components



Transmitter



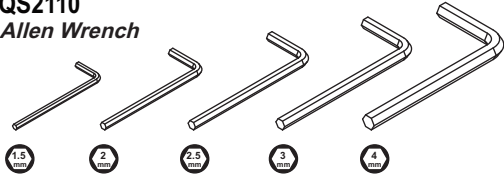
Parts bag



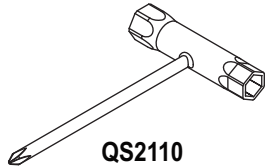
Radio control car

## Included Items

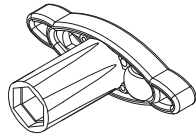
QS2110  
Allen Wrench



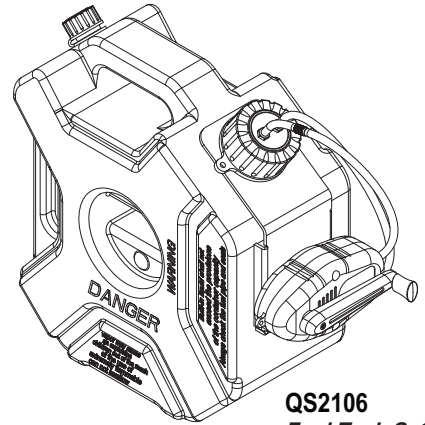
QS2117  
Charger



QS2110  
Wrench

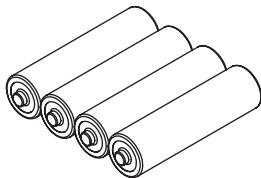


QS2111  
Wheel Wrench



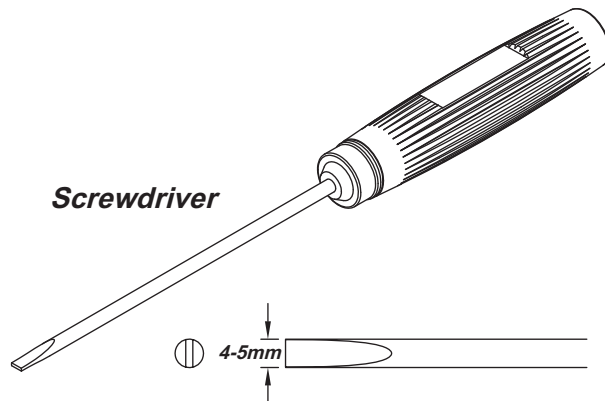
QS2106  
Fuel Tank Set

## Equipment Needed




AA Battery **x4**

Screwdriver



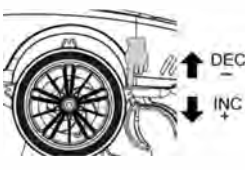
# Radio Functions & Operations

**Steering Trim**



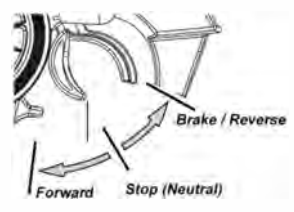
To be used for Centering the steering.

**Steering Dual Rate**




To be used to adjust steering servo throw.

**Throttle Trigger**

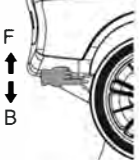


To be used for throttle operation.

**Power Switch**




**Throttle Trim**

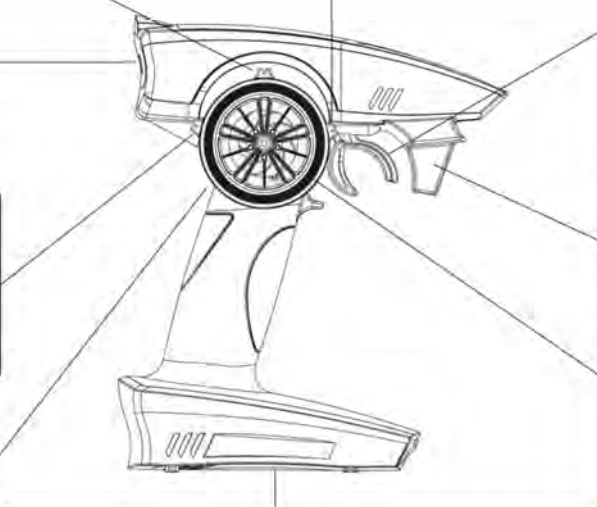


To be used for Centering the throttle.

**3ch Switch**

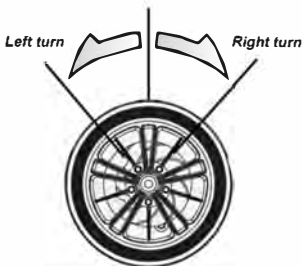


This switch is used for optional parts.




**Antenna Built-in**

**Straight (Neutral)**



**Attention** **Note Direction.**



Do not mix batteries of different ages or types.

**Bind Switch**

Programming a receiver to recognize the code of only one specific transmitter.

**Programming Keys**

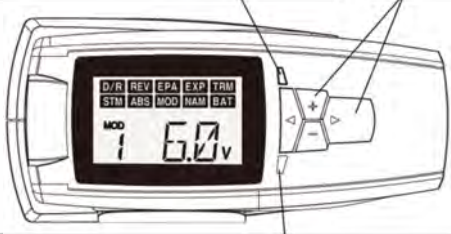
Selecting menus and programming the transmitter.

**REV Reverse Switch**

Adjustment the throttle / steering when it is reverse

**EPA End Point / EPA**

End point adjustments allow you to set the limits of all channels.



**D/R Steering Dual Rate**

To be used to adjust steering servo throw.

**EXP Exponential**

To be used to adjust Steering and Throttle channel control Exponential.

**TRM Servo Trim**

To be used for Centering the steering and throttle.

**Battery Level Indicator**

**Exchange Batteries**  
When the battery level indicator(LED) blinks in red, replace the batteries with new ones immediately.

Good Batteries

Low Batteries (Light Blinks)

**STM Servo Sub-Trim**

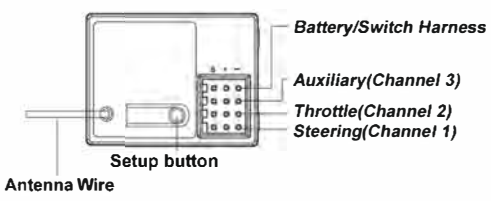
To be used to adjust the steering and throttle servo horn.

**ABS Anti-Lock Braking System**

Primarily used on gasoline or glow models that feature a throttle servo.

**MOD Model Select**

Allows you to store and retrieve programming Data for any model 0 through 9.



**Receiver**

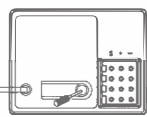
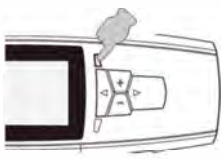
**Binding**

Before beginning the binding process, connect the switch harness, servos, and the receiver battery to your MR-3D receiver. Make sure that both the transmitter and the receiver are turned OFF.











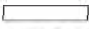
1. Turn the transmitter ON.
2. Press and hold the receiver setup button, then turn the power switch on the ON position. The receiver LED will flash quickly. Release the setup button after 1 second.
3. Press and hold the binding button on the transmitter for 1 second until the LED on the receiver is continuously lit.

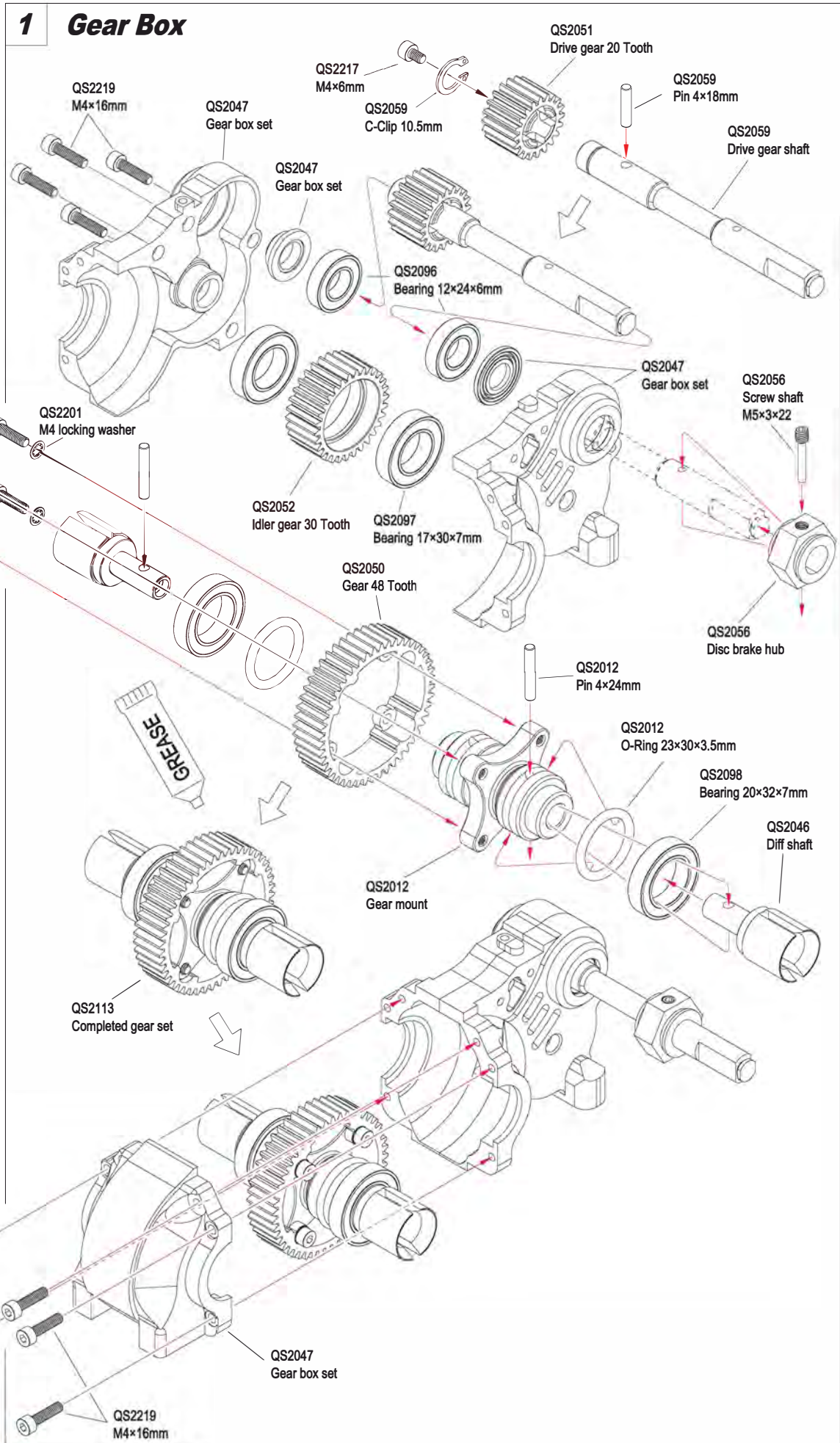
**Fail-safe setup**

1. Move the steering wheel or throttle trigger to the position where you want the servo to move, press and hold the receiver setup button for 2 second until the red LED on the receiver flash slowly, then press and hold the receiver setup button again within 5 seconds until the receiver LED is continuously lit, that's mean the F/S function has been correctly set.
2. Verify if the failsafe function has been correctly set. Turn off the transmitter, then check if the servos moves to the position that you set.

# 1 Gear Box

-  **QS2217** M4×6mm x1
-  **QS2218** M4×14mm x4
-  **QS2219** M4×16mm x10
-  **QS2201** M4 Locking Washer x4
-  **QS2056** M5×3×22mm x1
-  **QS2096** Bearing 12×24×6mm x2
-  **QS2097** Bearing 17×30×7mm x2
-  **QS2098** Bearing 20×32×7mm x2
-  **QS2012** O-Ring 23×30×3.5mm x2
-  **QS2059** PIN 4×18mm x1
-  **QS2012** PIN 4×24mm x2



## 2 Chassis Assembly



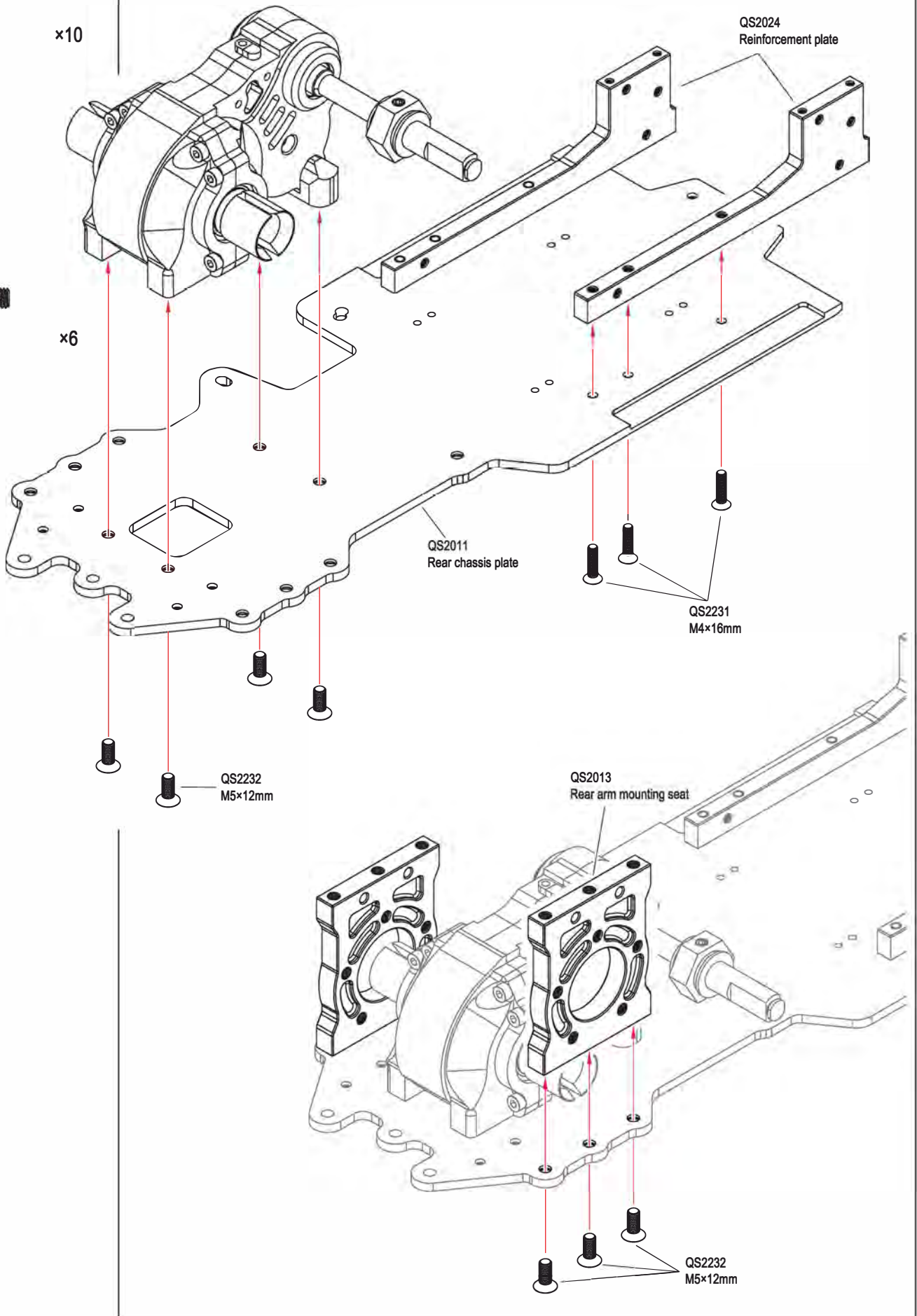
QS2232  
M5x12mm

x10


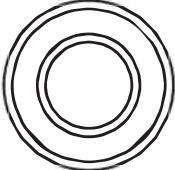



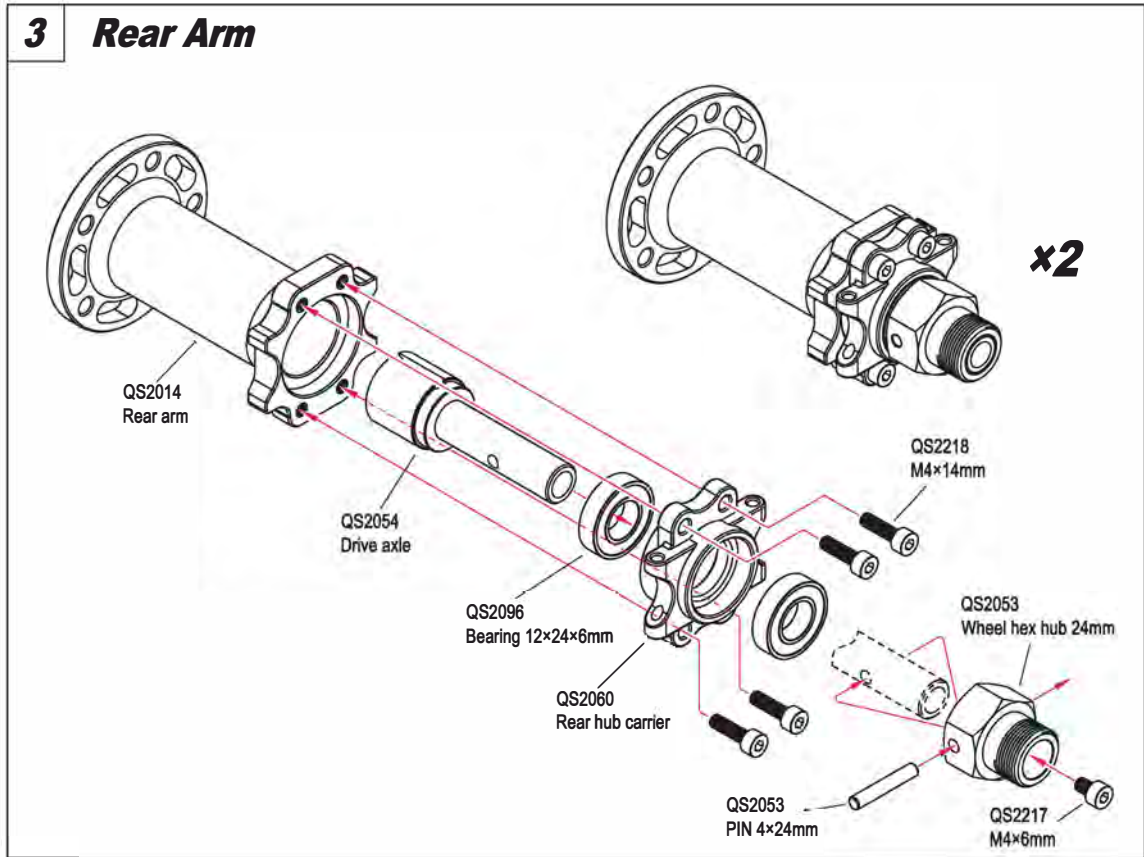
QS2231  
M4x16mm

x6



### 3 Rear Arm

-  **QS2217** ×2  
M4×6mm
-  **QS2218** ×8  
M4×14mm
-  **QS2096** ×4  
Bearing 12×24×6mm
-  **QS2053** ×2  
PIN 4×24mm

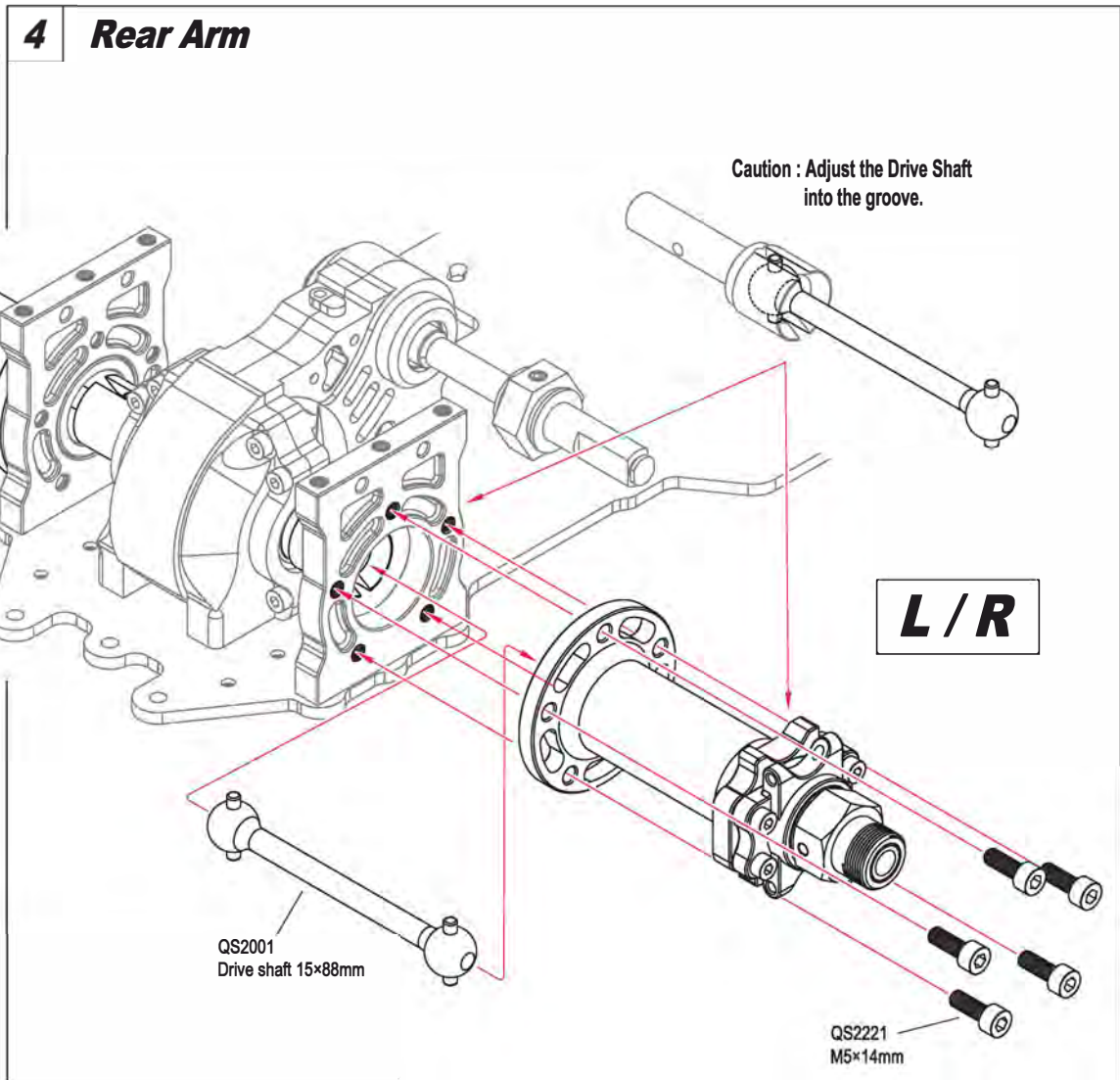


### 4 Rear Arm

-  **QS2221** ×10  
M5×14mm

Caution : Adjust the Drive Shaft into the groove.

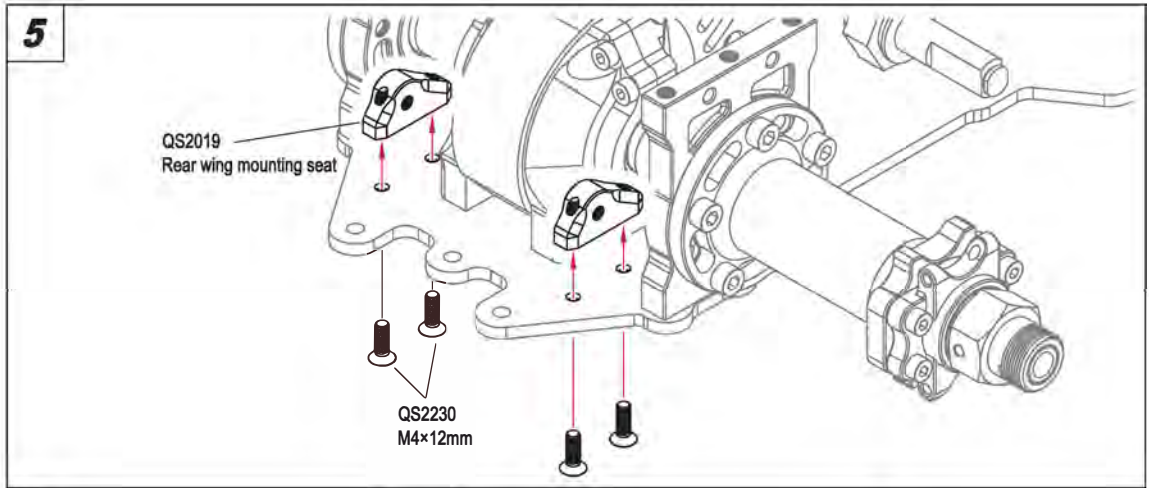
**L / R**





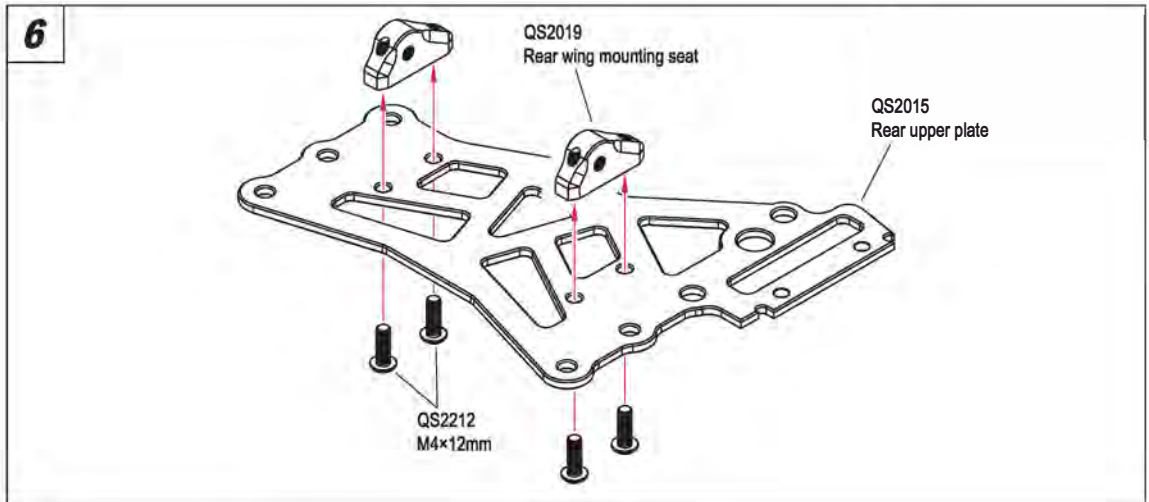
QS2230  
M4x12mm

×4



QS2212  
M4x12mm

×4



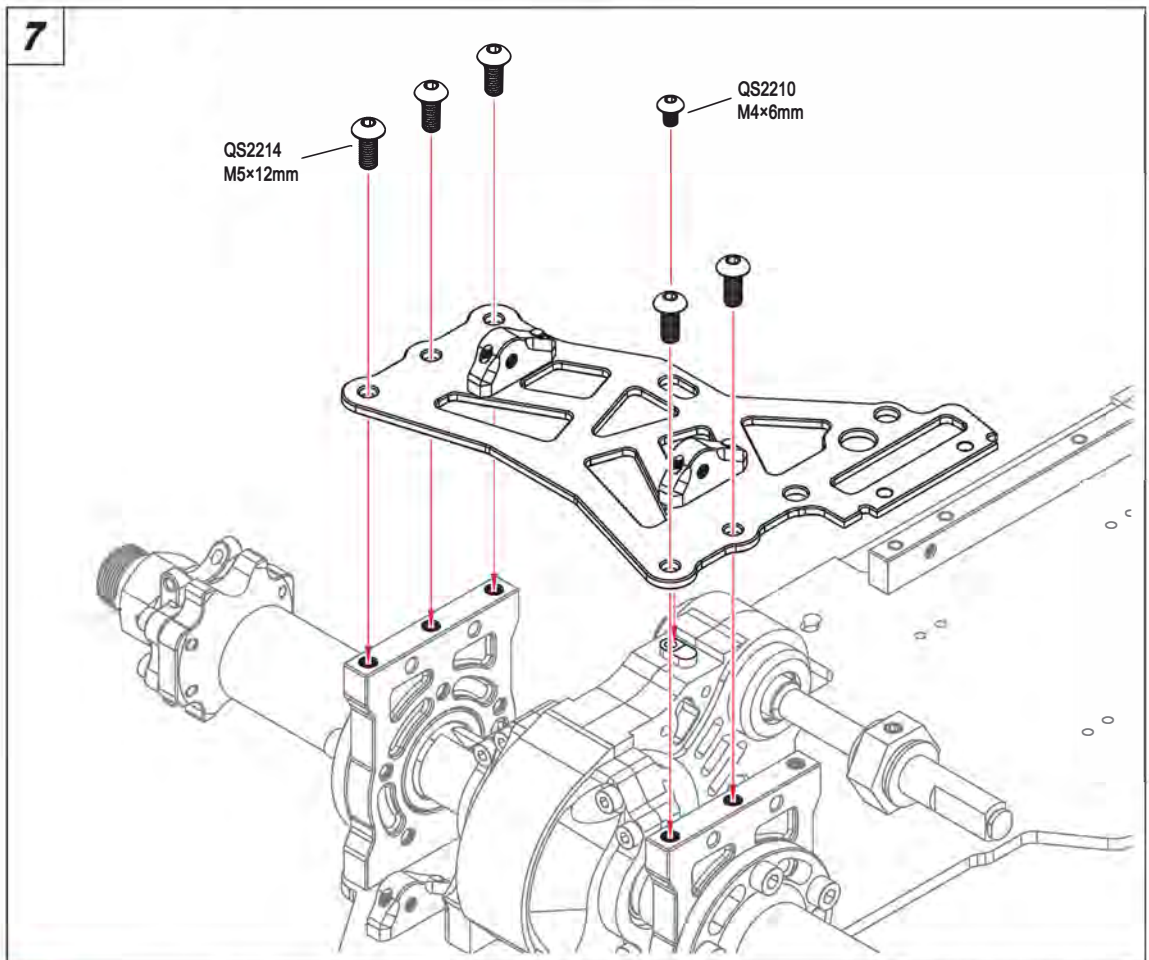
QS2214  
M5x12mm

×5



QS2210  
M4x6mm

×1



8



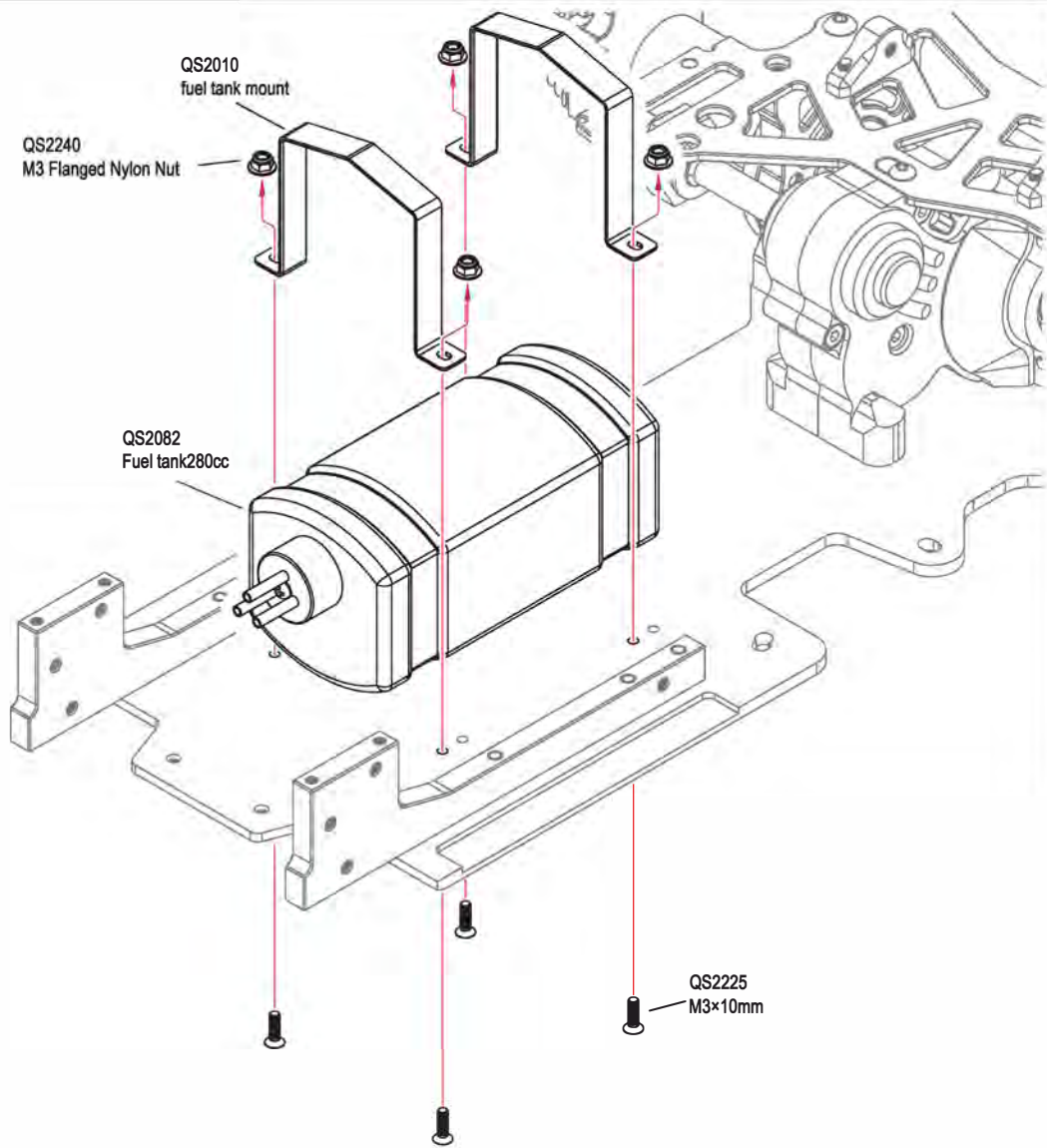
QS2225 x4

M3x10mm



QS2240 x4

M3 Flanged Nylon Nut

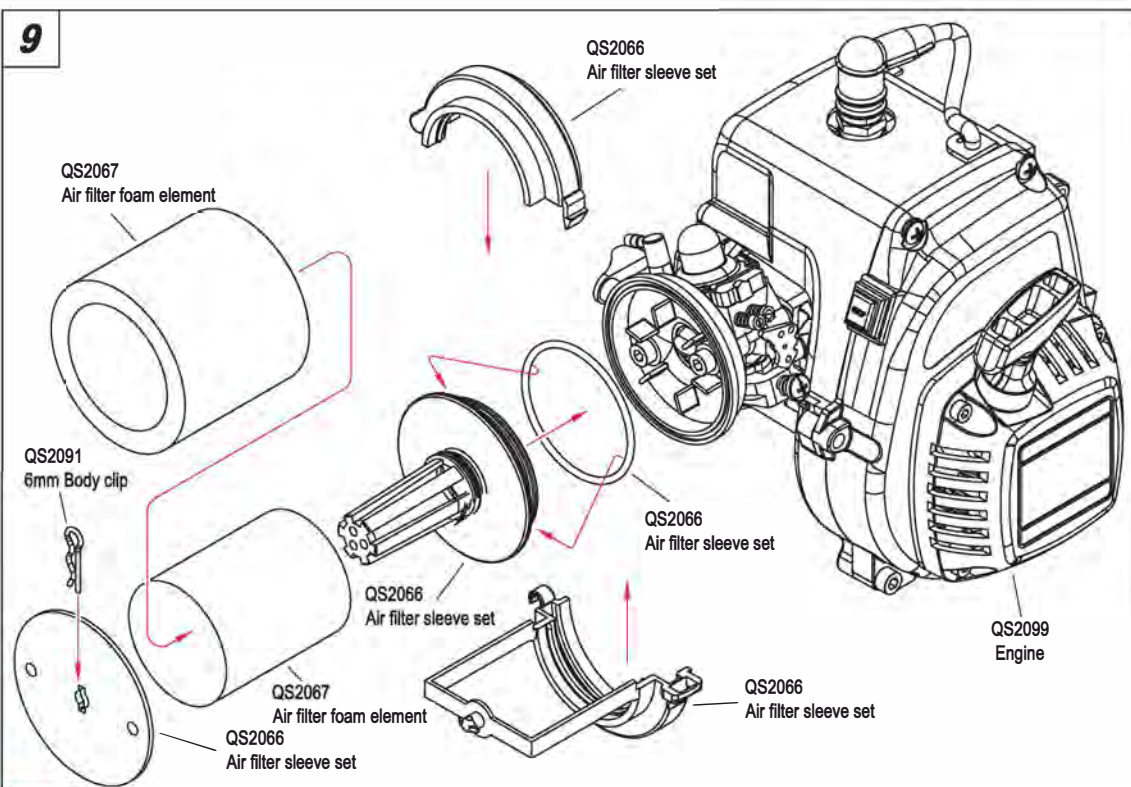


9

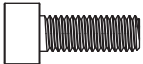


QS2091 x1

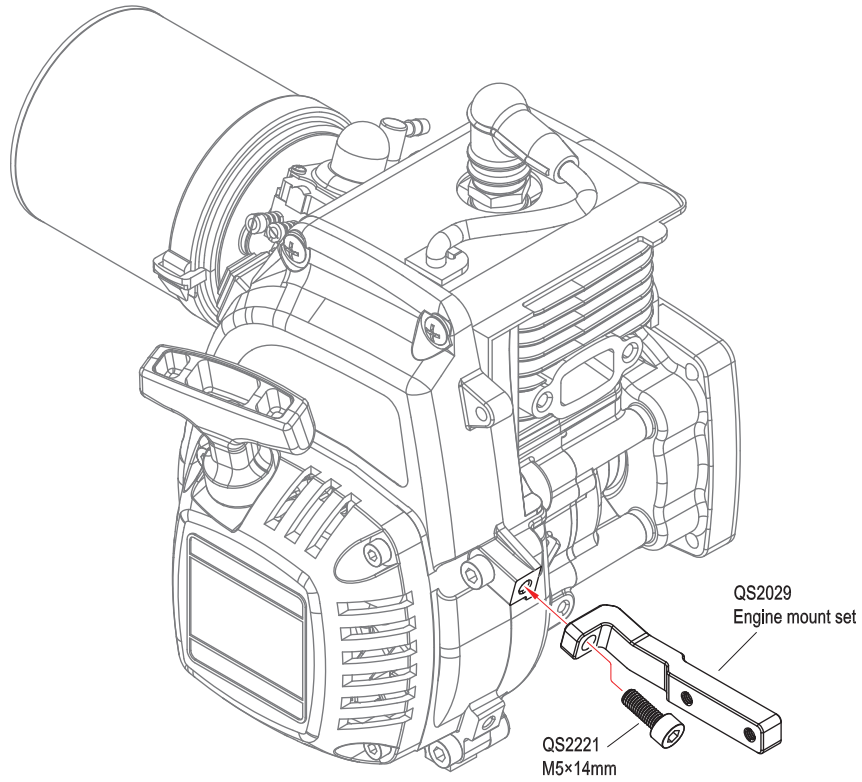
6mm Body Clip



10



QS2221 x1  
M5x14mm



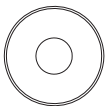
QS2029  
Engine mount set

QS2221  
M5x14mm

11 Engine Assembly



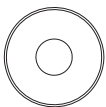
QS2234 x1  
M5x20mm



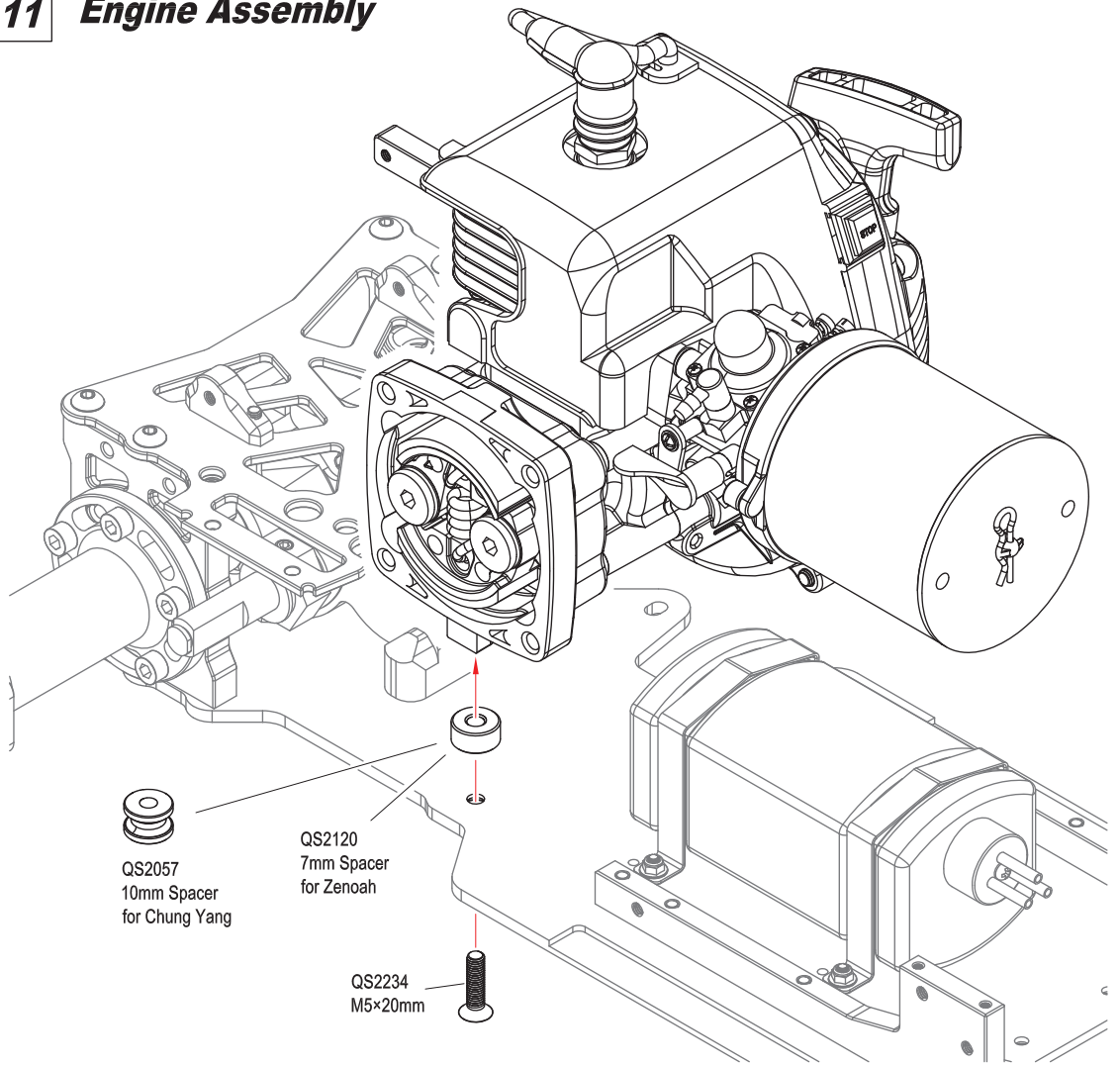
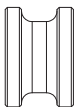
QS2120 x1  
7mm Spacer for Zenoah



OR



QS2057 x1  
10mm Spacer for Chung Yang



QS2057  
10mm Spacer  
for Chung Yang

QS2120  
7mm Spacer  
for Zenoah

QS2234  
M5x20mm

## 12 Engine Assembly



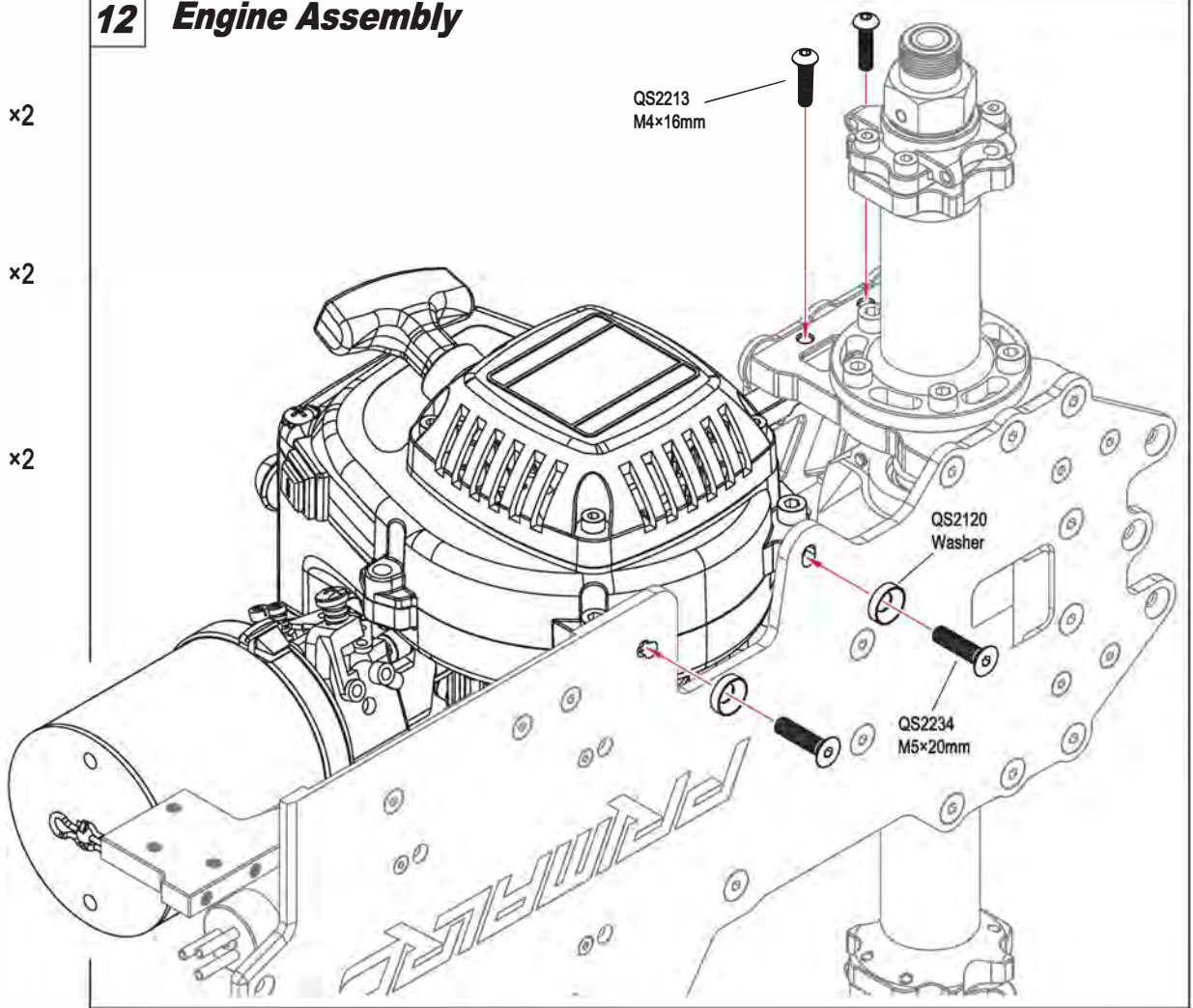
QS2213  
M4×16mm  
×2



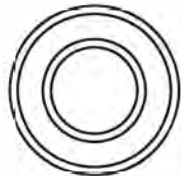
QS2234  
M5×20mm  
×2



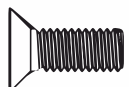
QS2120  
Washer  
×2



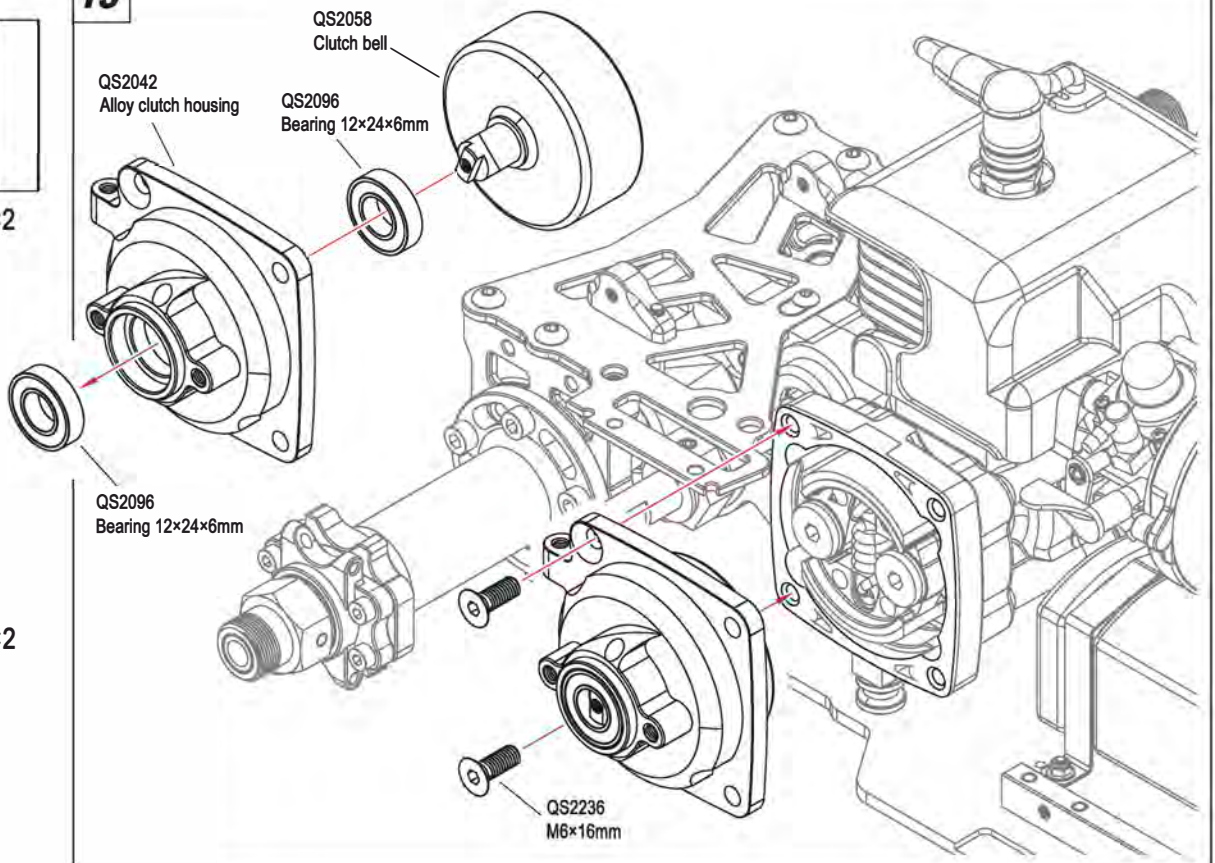
## 13



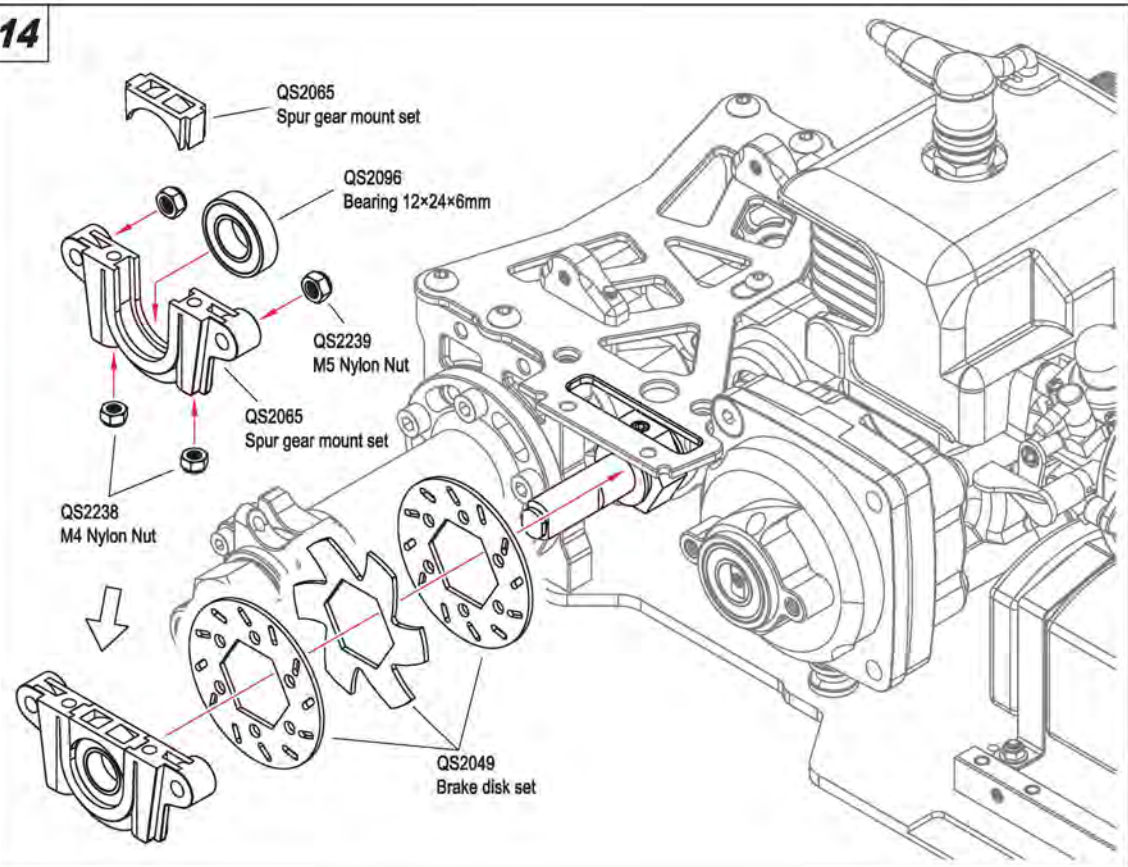
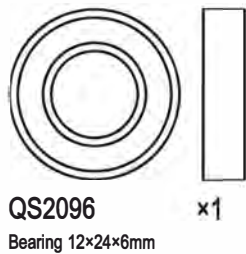
QS2096  
Bearing 12×24×6mm  
×2



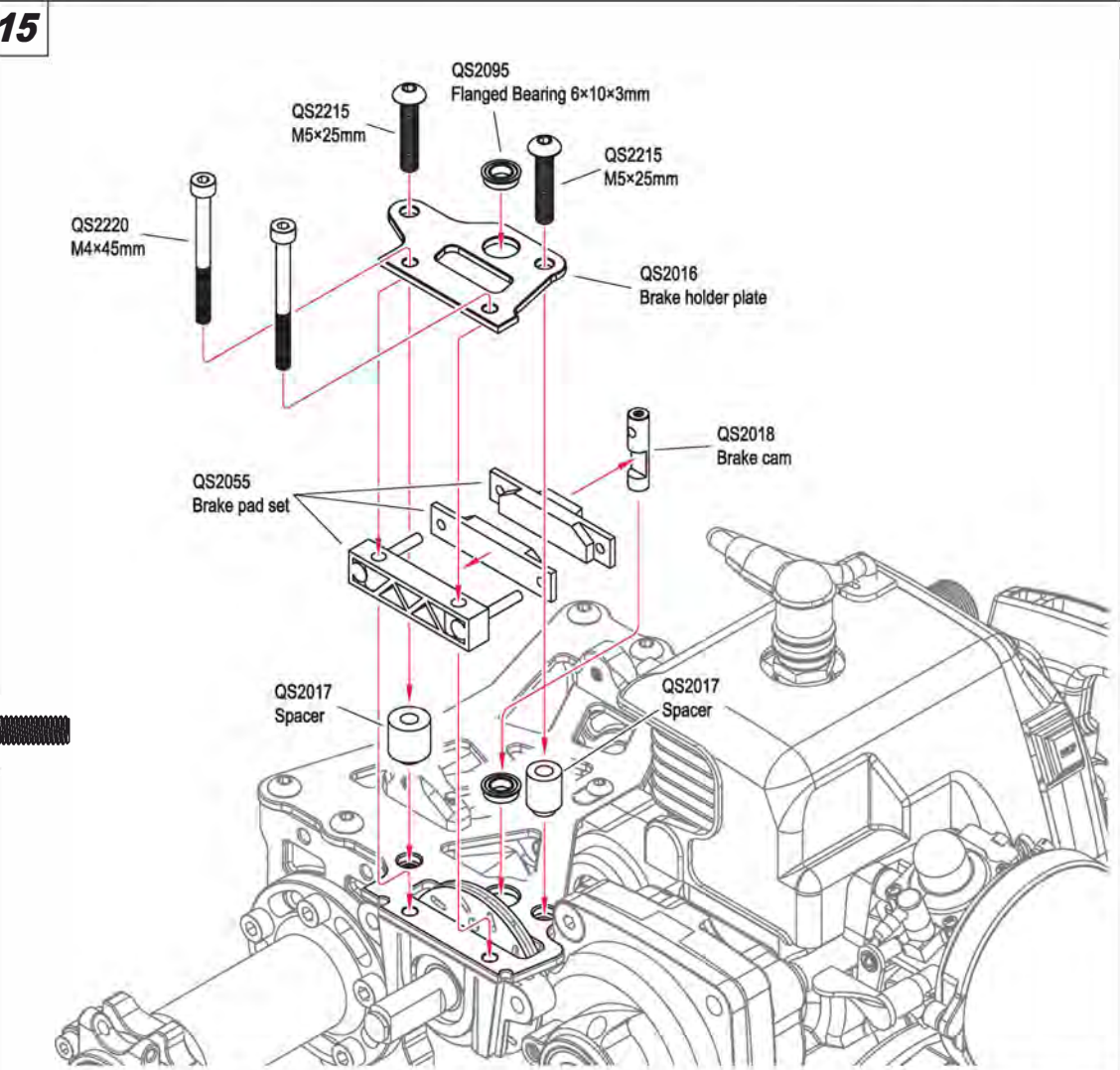
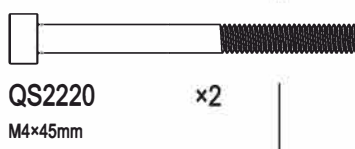
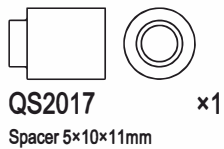
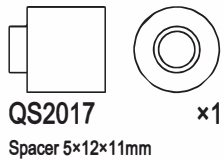
QS2236  
M6×16mm  
×2



14



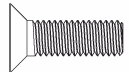
15





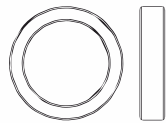
QS2232  
M5×12mm

×2



QS2233  
M5×16mm

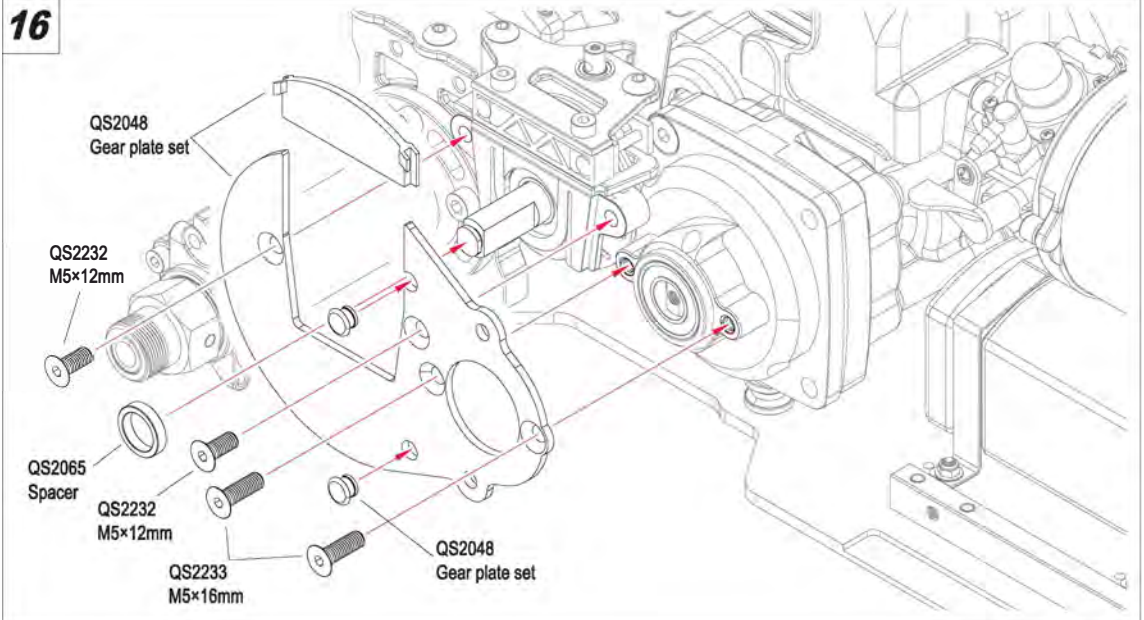
×2



QS2065  
Spacer 12×16×3.5mm

×1

16



QS2219  
M4×16mm

×1



QS2201  
M4 Locking Washer

×1



QS2246  
M4 Spring Washer

×1



QS2202  
E-Clip 7×14×1mm

×1

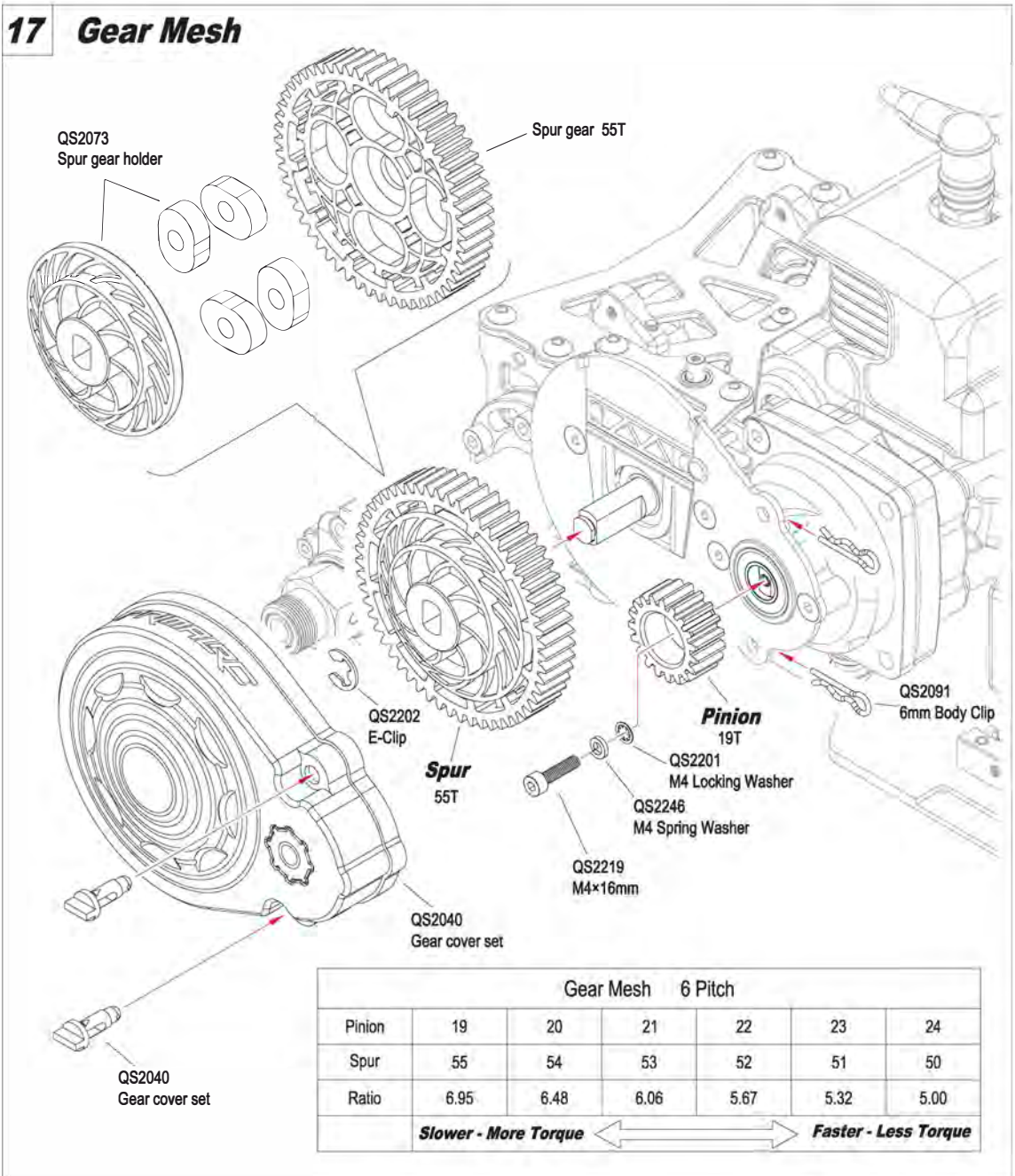


QS2091  
6mm Body Clip

×2

17

**Gear Mesh**



Gear Mesh 6 Pitch						
Pinion	19	20	21	22	23	24
Spur	55	54	53	52	51	50
Ratio	6.95	6.48	6.06	5.67	5.32	5.00
<b>Slower - More Torque</b>			<b>Faster - Less Torque</b>			

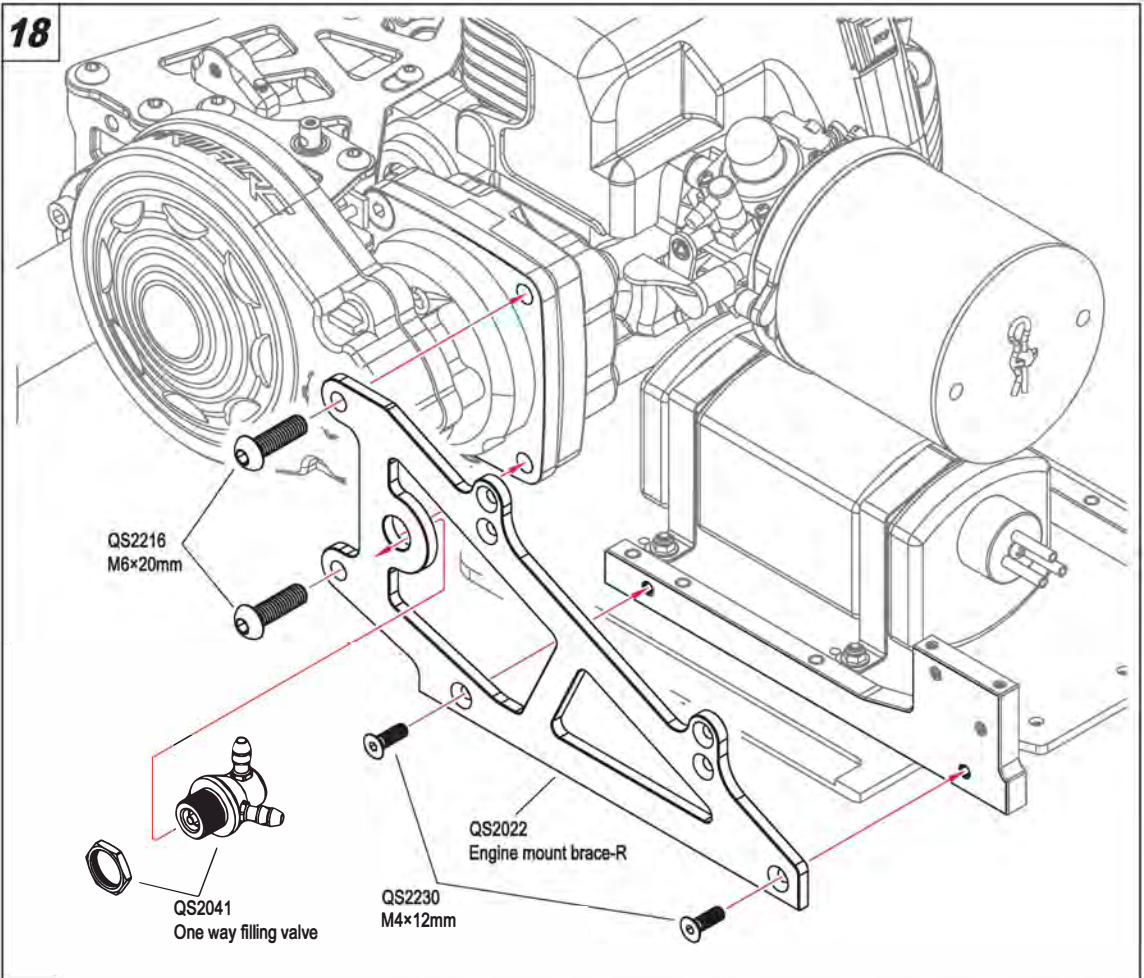
18



QS2230 M4x12mm x2



QS2216 M6x20mm x2



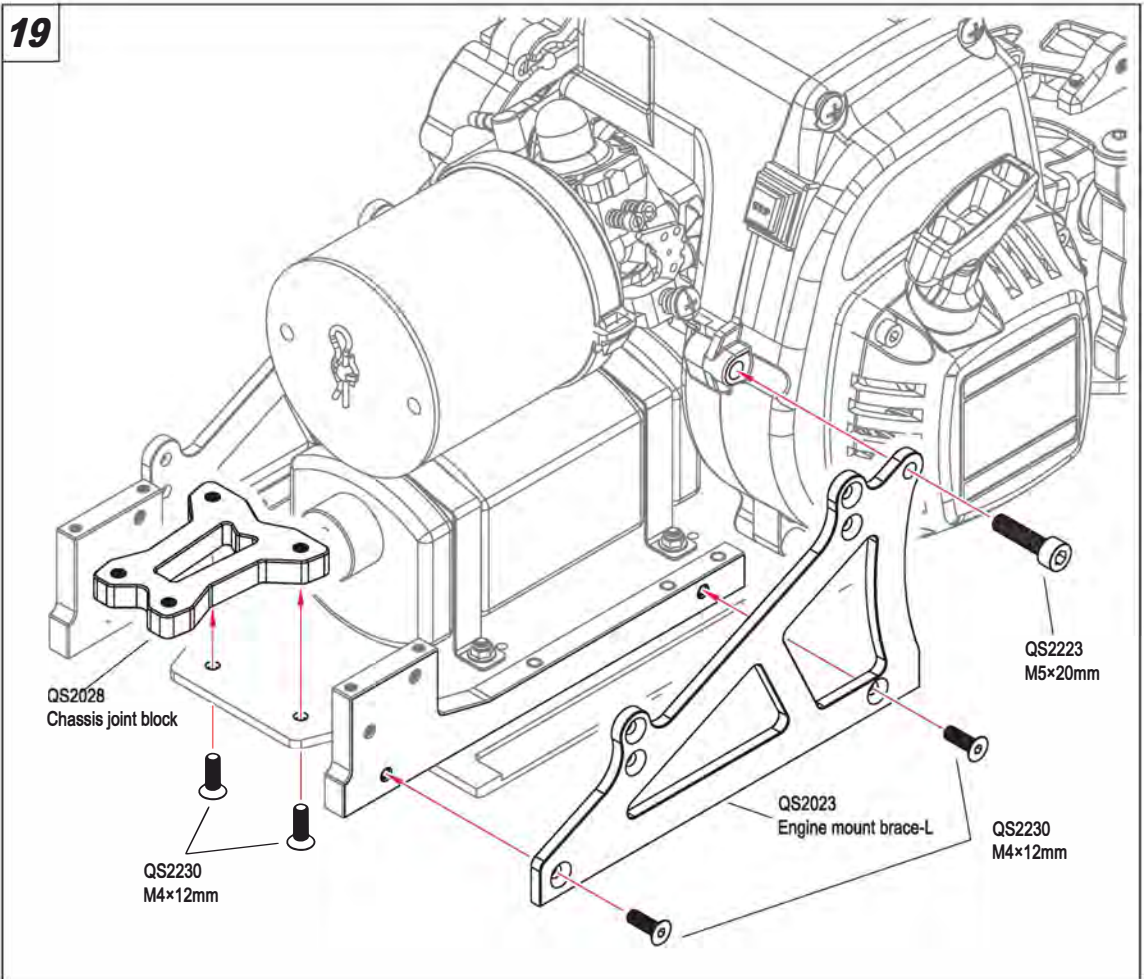
19



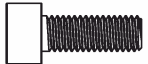
QS2230 M4x12mm x4



QS2223 M5x20mm x1



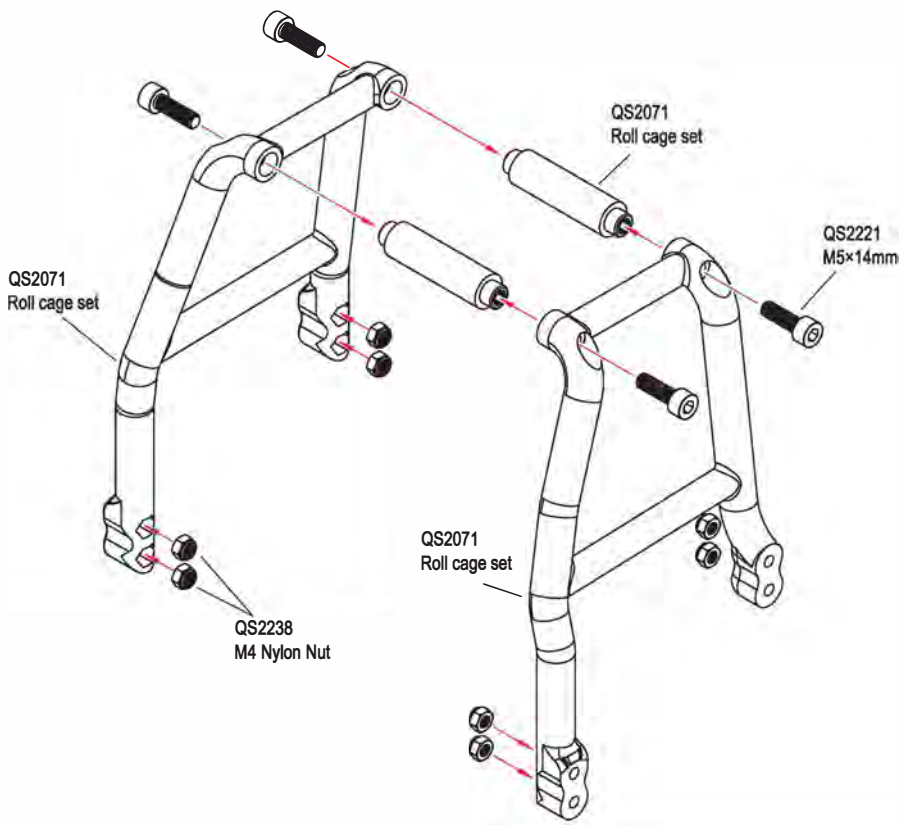
20



QS2221  
M5x14mm  
x4



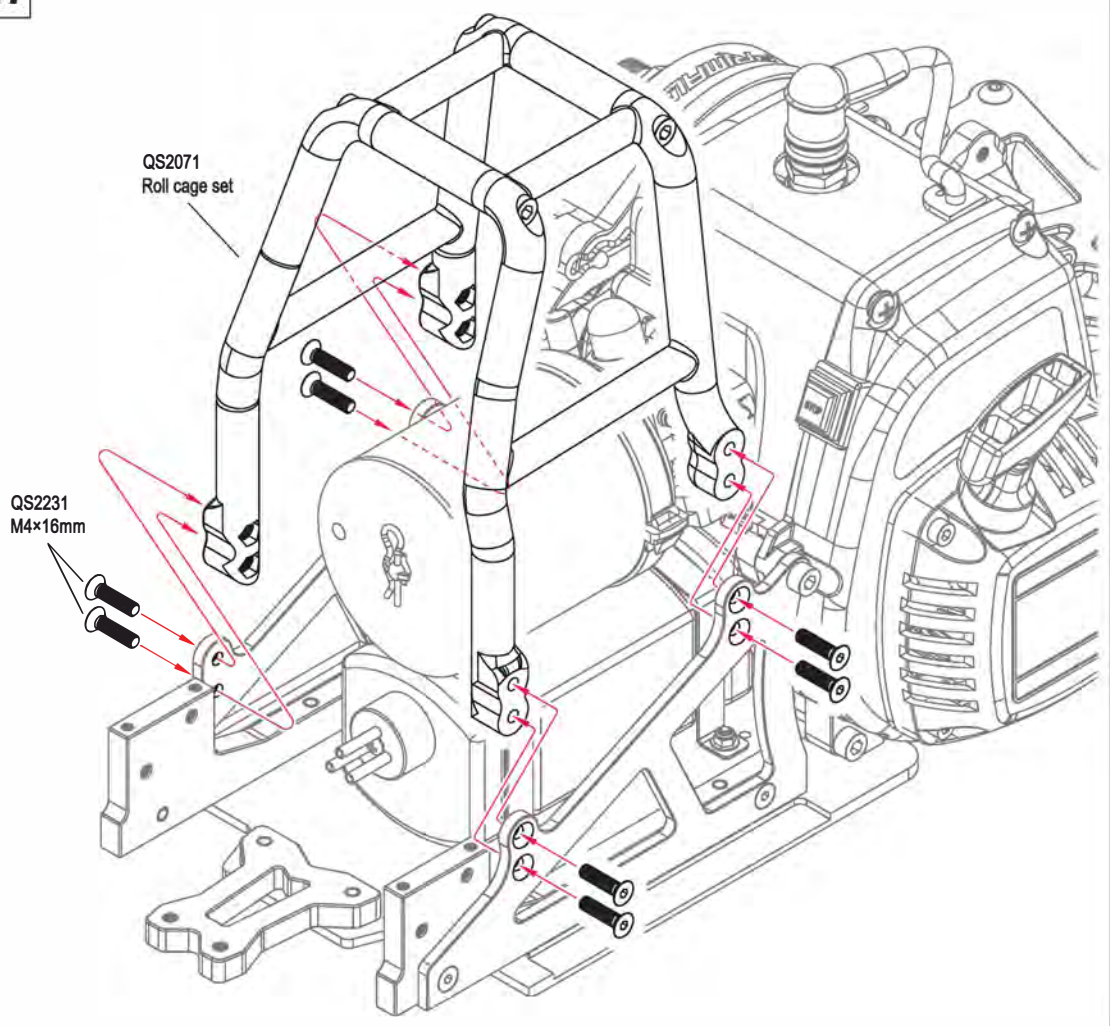
QS2238  
M4 Nylon Nut  
x8



21



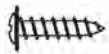
QS2231  
M4x16mm  
x8



## 22 Receiver Box



QS2226 ×2  
M3×12mm



QS2248 ×4  
ST3×12mm Tp. Flanged



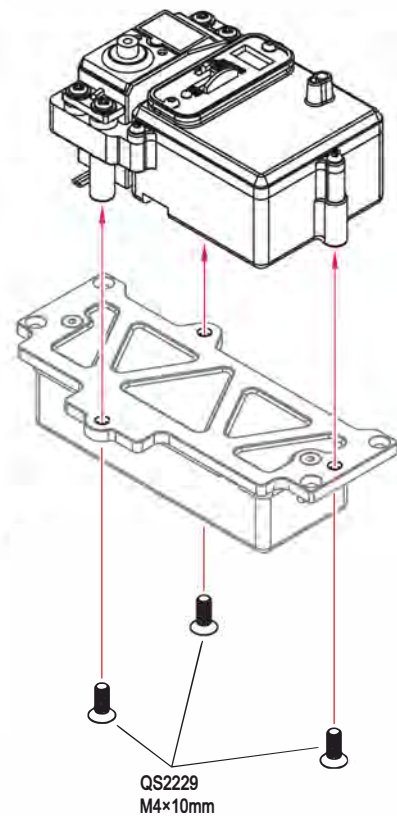
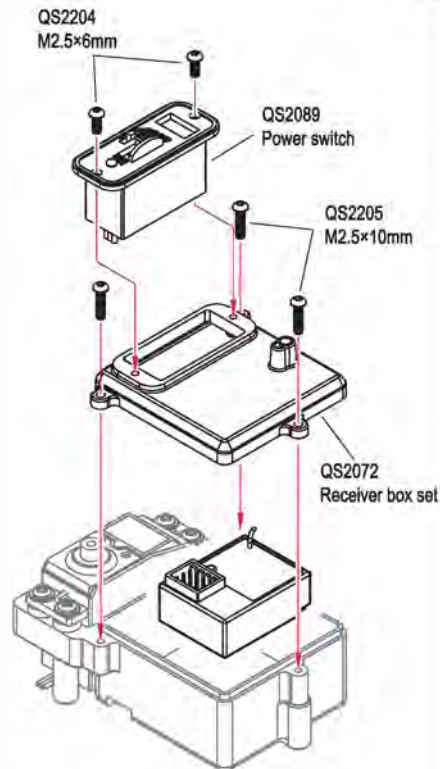
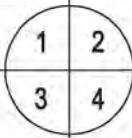
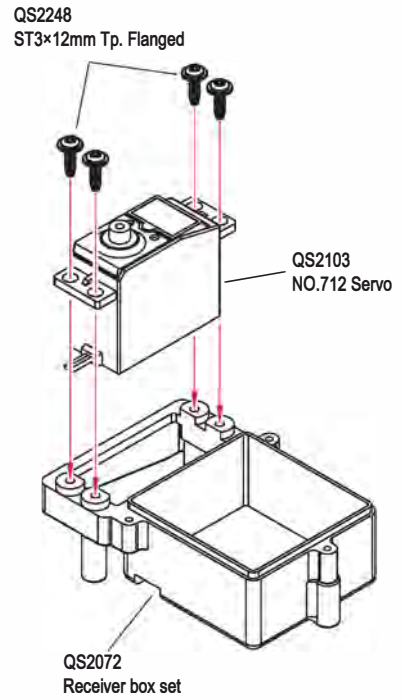
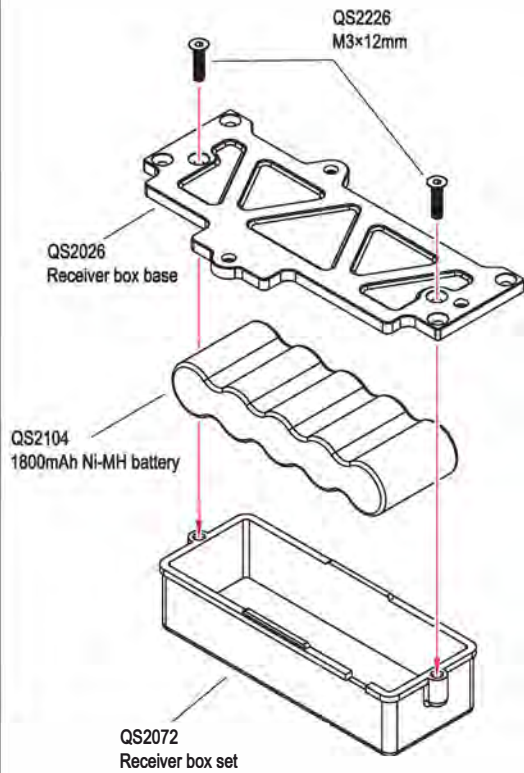
QS2204 ×2  
M2.5×6mm



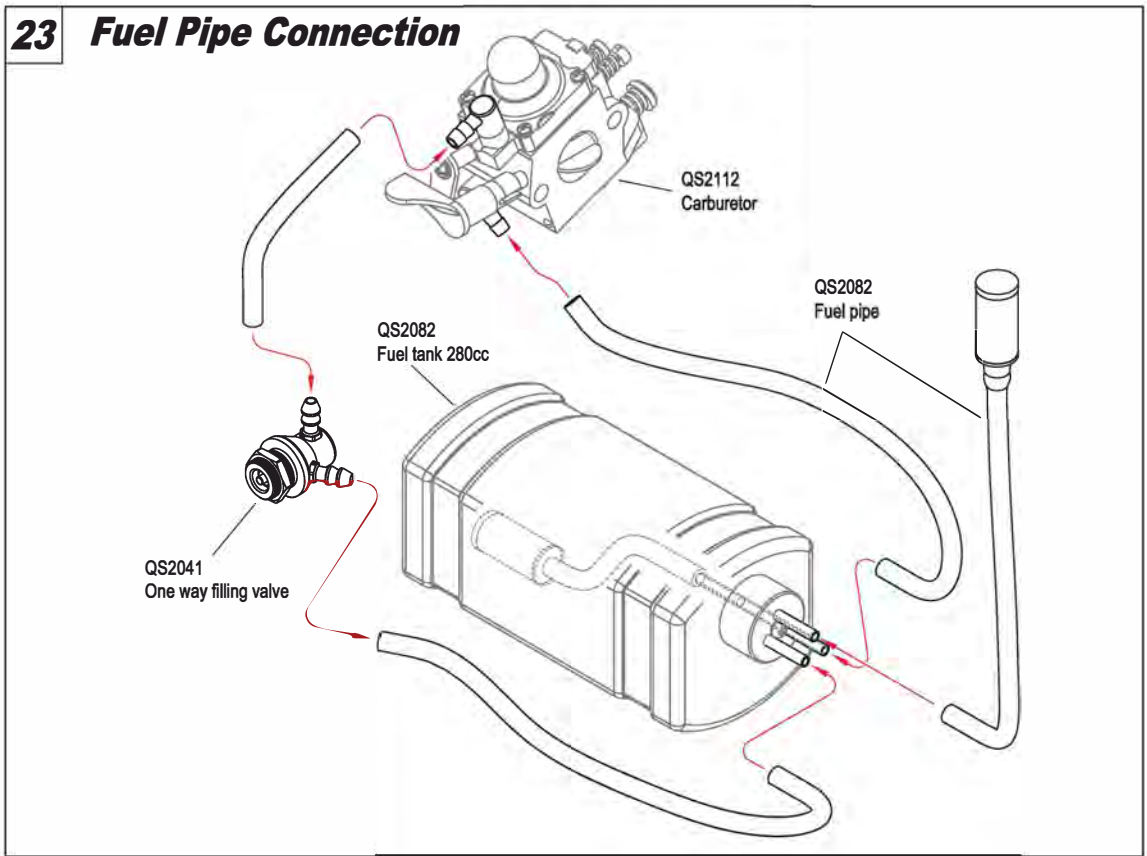
QS2205 ×3  
M2.5×10mm



QS2229 ×3  
M4×10mm



## 23 Fuel Pipe Connection



## 24



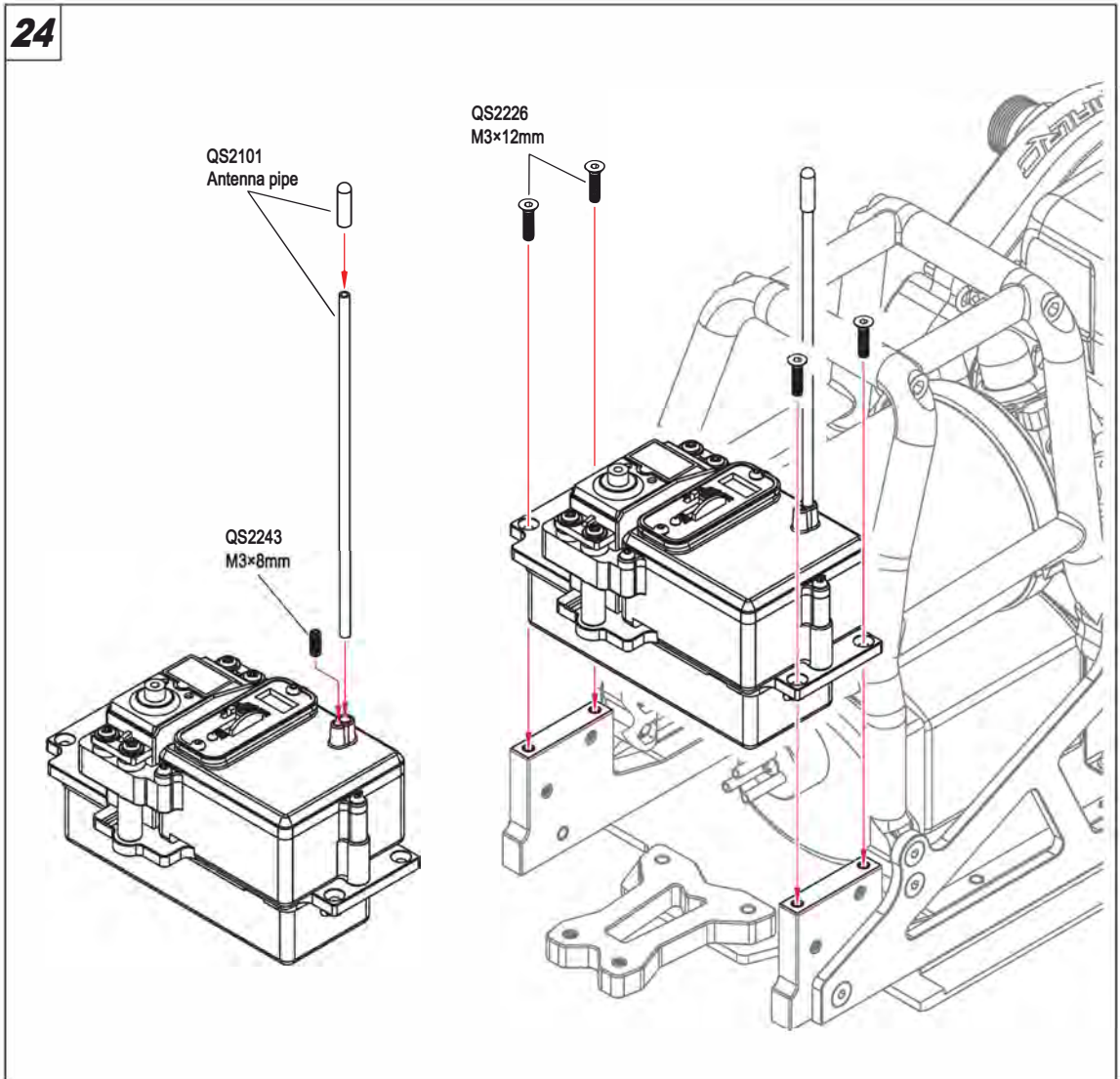
QS2226  
M3×12mm

×4



QS2243  
M3×8mm

×1



**25 Front**



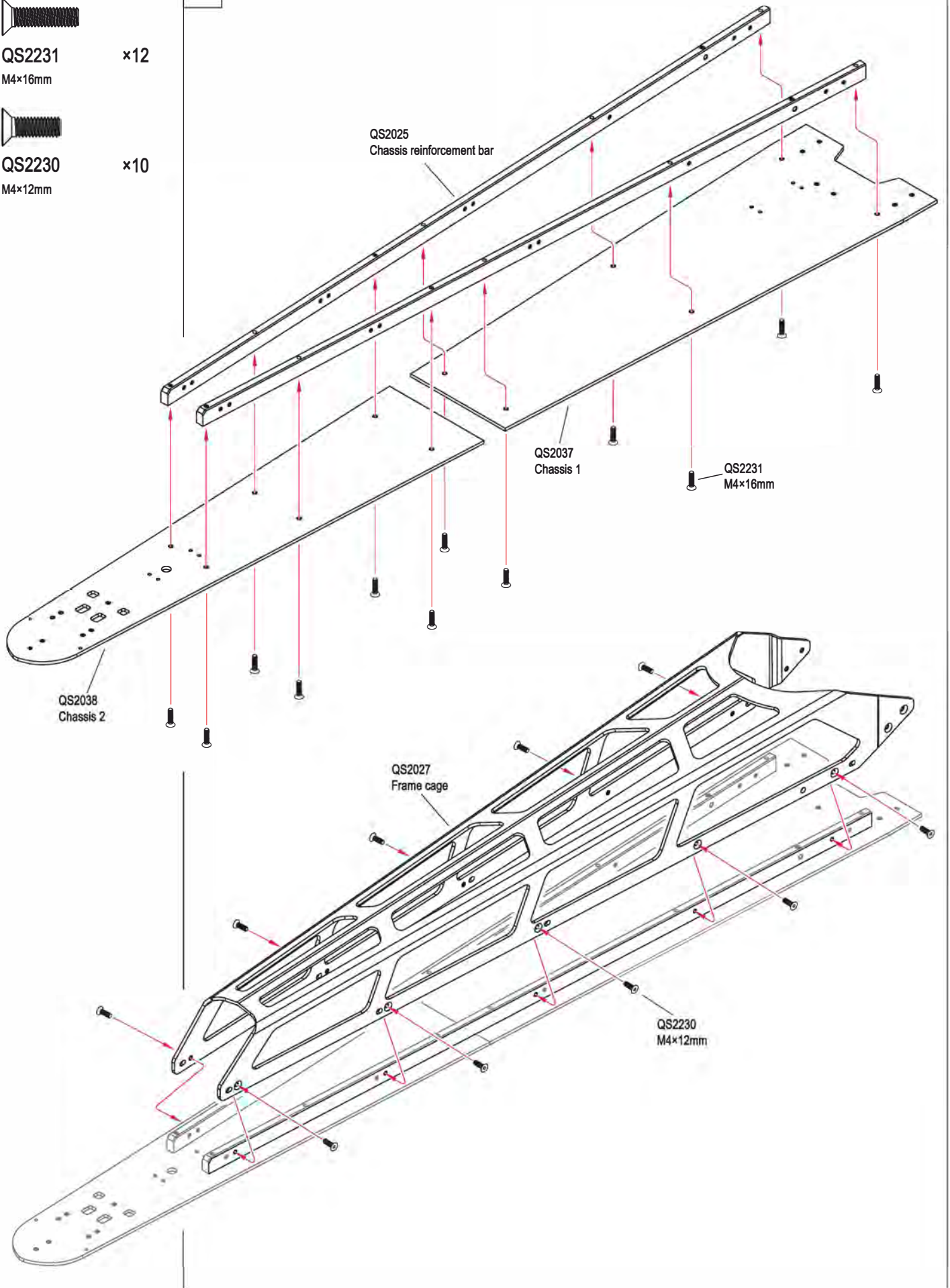
QS2231  
M4×16mm

×12








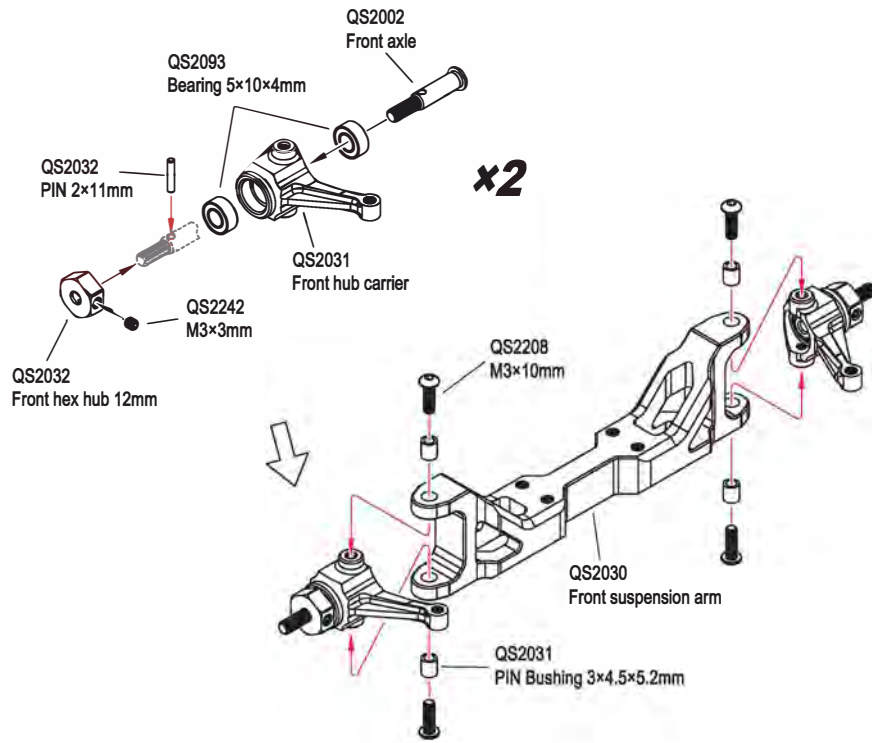
QS2230  
M4×12mm

×10



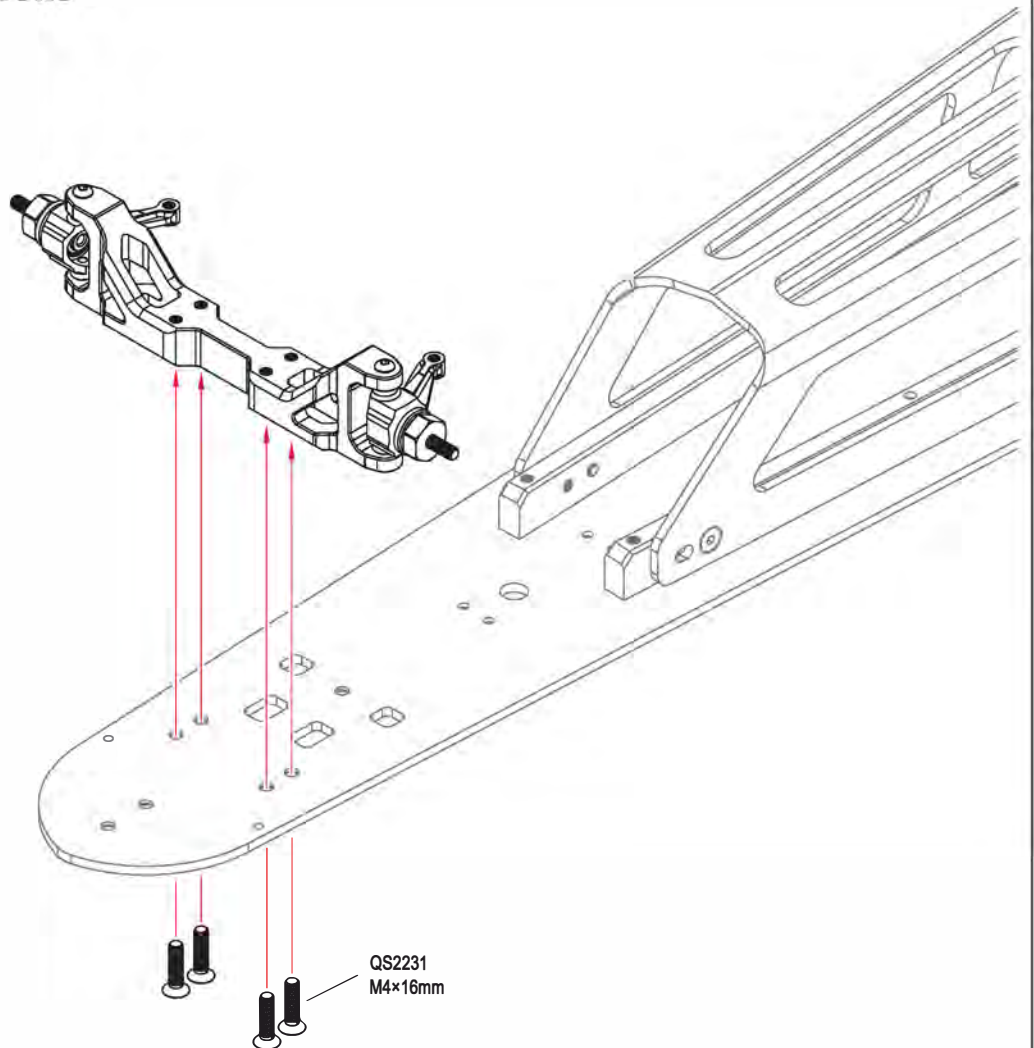
## 26 Front

- 
**QS2242**      ×2  
 M3×3mm
- 
**QS2032**      ×2  
 PIN 2×11mm
- 
**QS2093**      ×4  
 Bearing 5×10×4mm
- 
**QS2208**      ×4  
 M3×10mm
- 
**QS2031**      ×4  
 PIN Bushing 3×4.5×5.2mm




## 27 Front

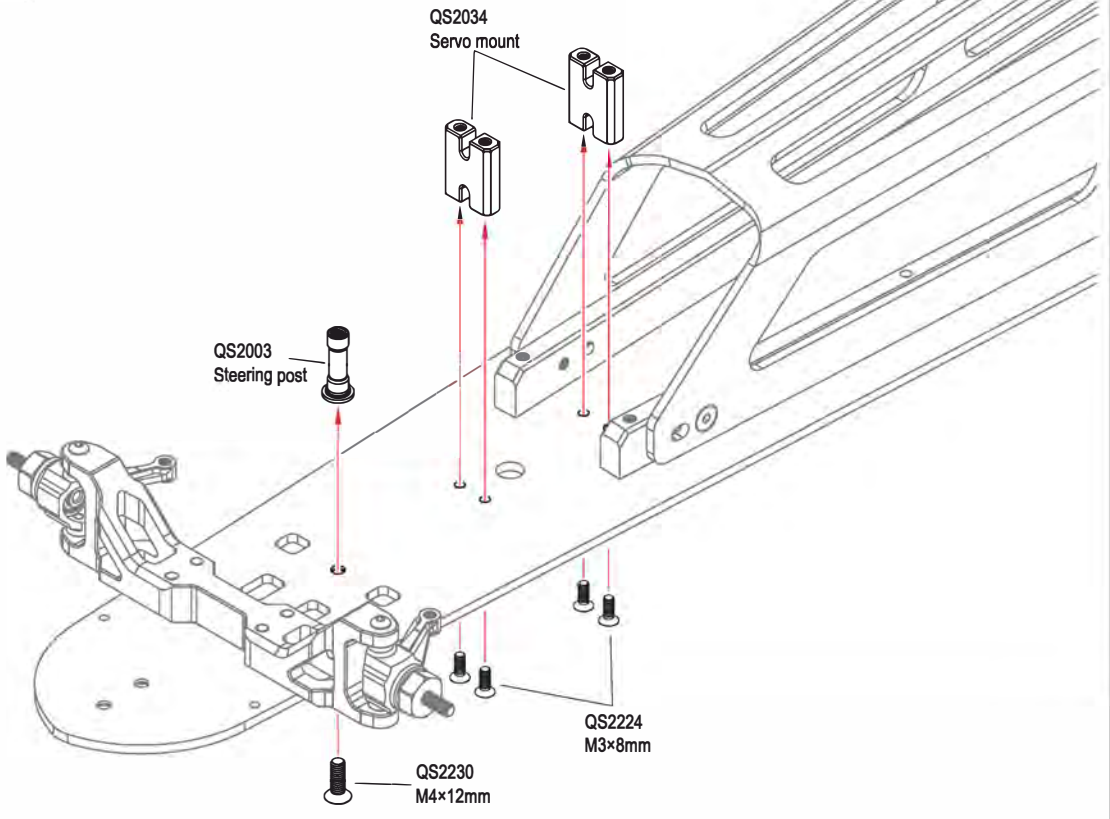
- 
**QS2231**      ×4  
 M4×16mm



**28**

 **QS2224**  
M3×8mm ×4


 **QS2230**  
M4×12mm ×1

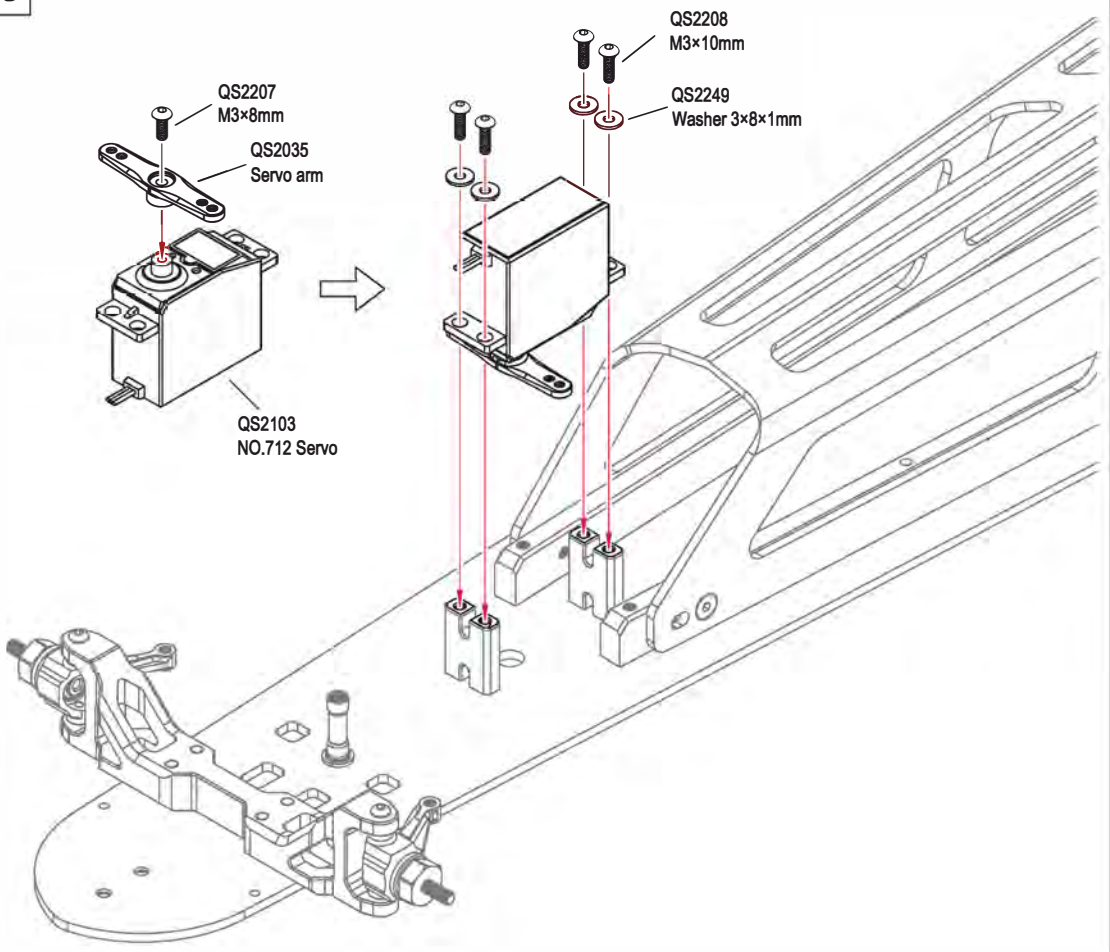


**29**

 **QS2207**  
M3×8mm ×1

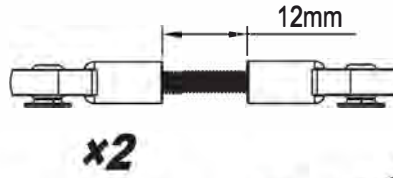
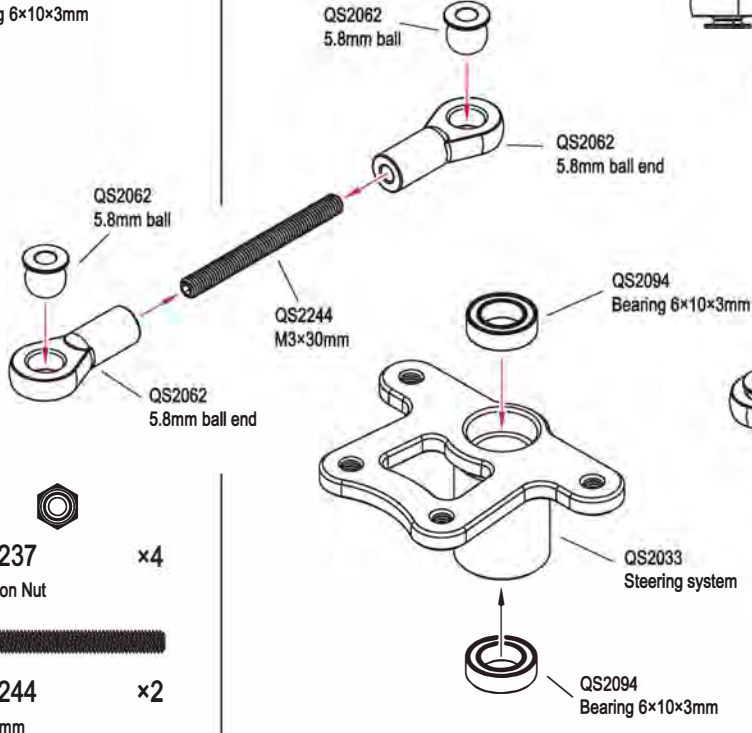
 **QS2208**  
M3×10mm ×4

 **QS2249**  
Washer 3×8×1mm ×4



   
QS2094  
Bearing 6x10x3mm

x2



QS2237  
M3 Nylon Nut

   
QS2237  
M3 Nylon Nut

x4

  
QS2244  
M3x30mm

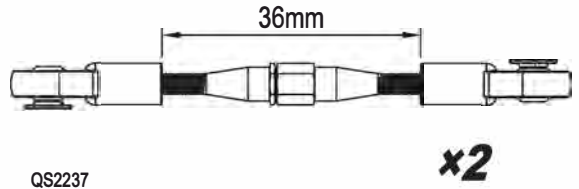
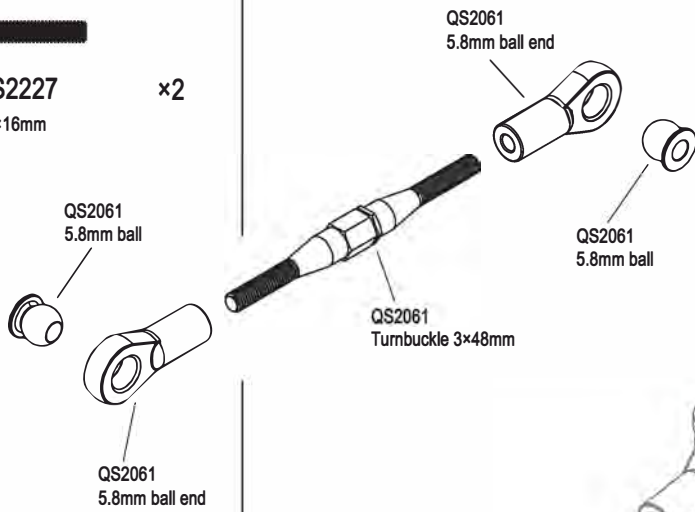
x2

  
QS2228  
M3x18mm

x2

  
QS2227  
M3x16mm

x2

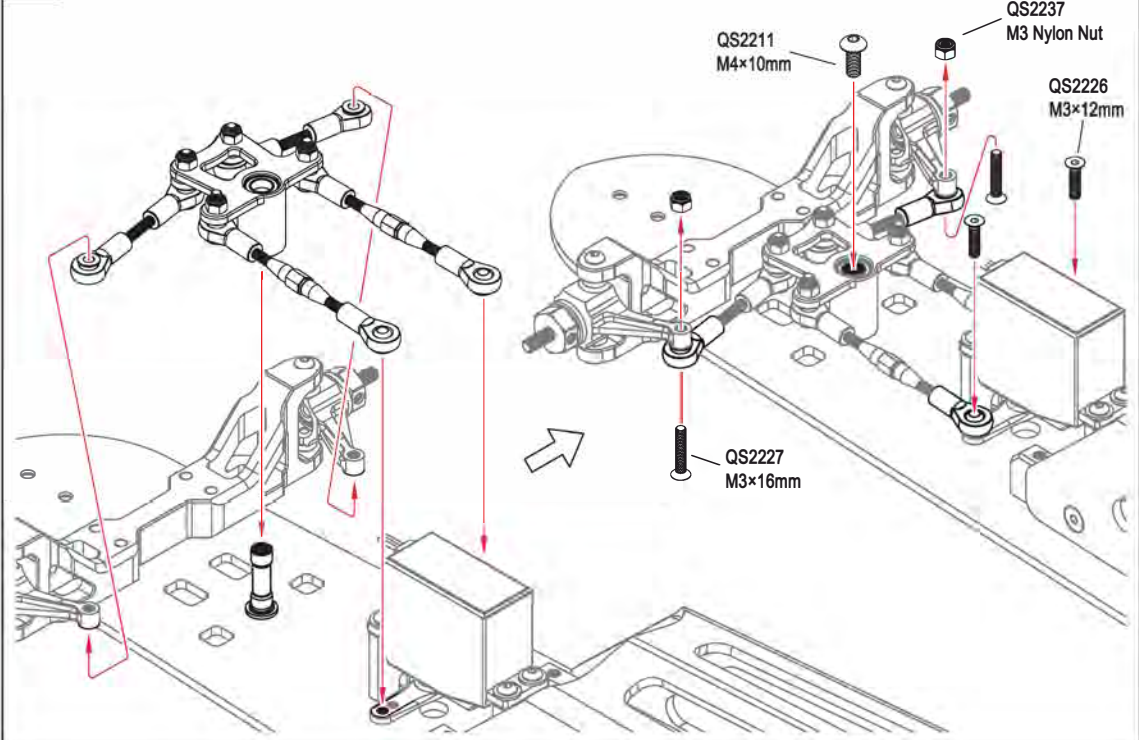


QS2237  
M3 Nylon Nut

QS2227  
M3x16mm

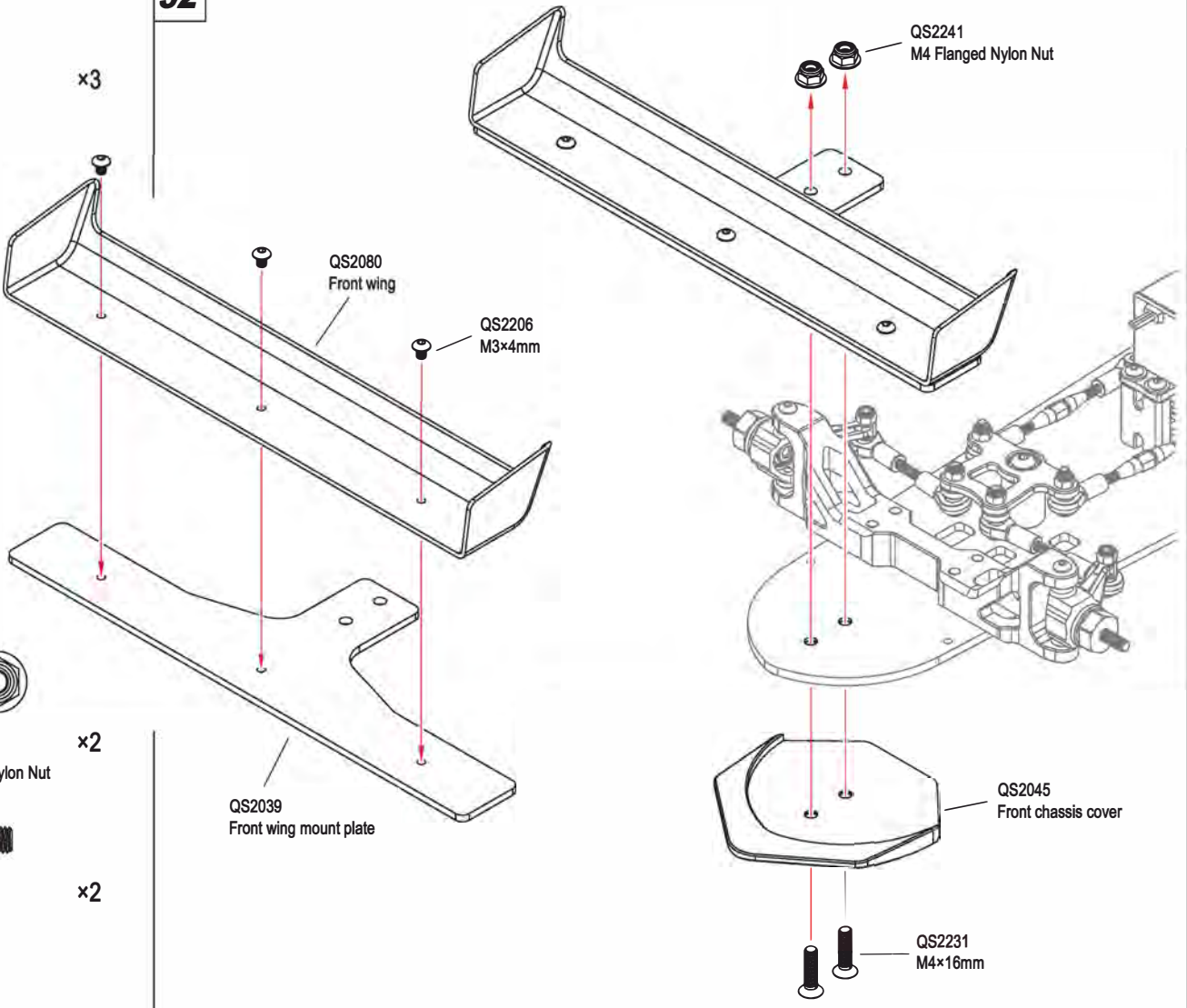
# 31

-  **QS2211** x1  
M4×10mm
-  **QS2237** x2  
M3 Nylon Nut
-  **QS2226** x2  
M3×12mm
-  **QS2227** x2  
M3×16mm



# 32

-  **QS2206** x3  
M3×4mm
-  **QS2241** x2  
M4 Flanged Nylon Nut
-  **QS2231** x2  
M4×16mm

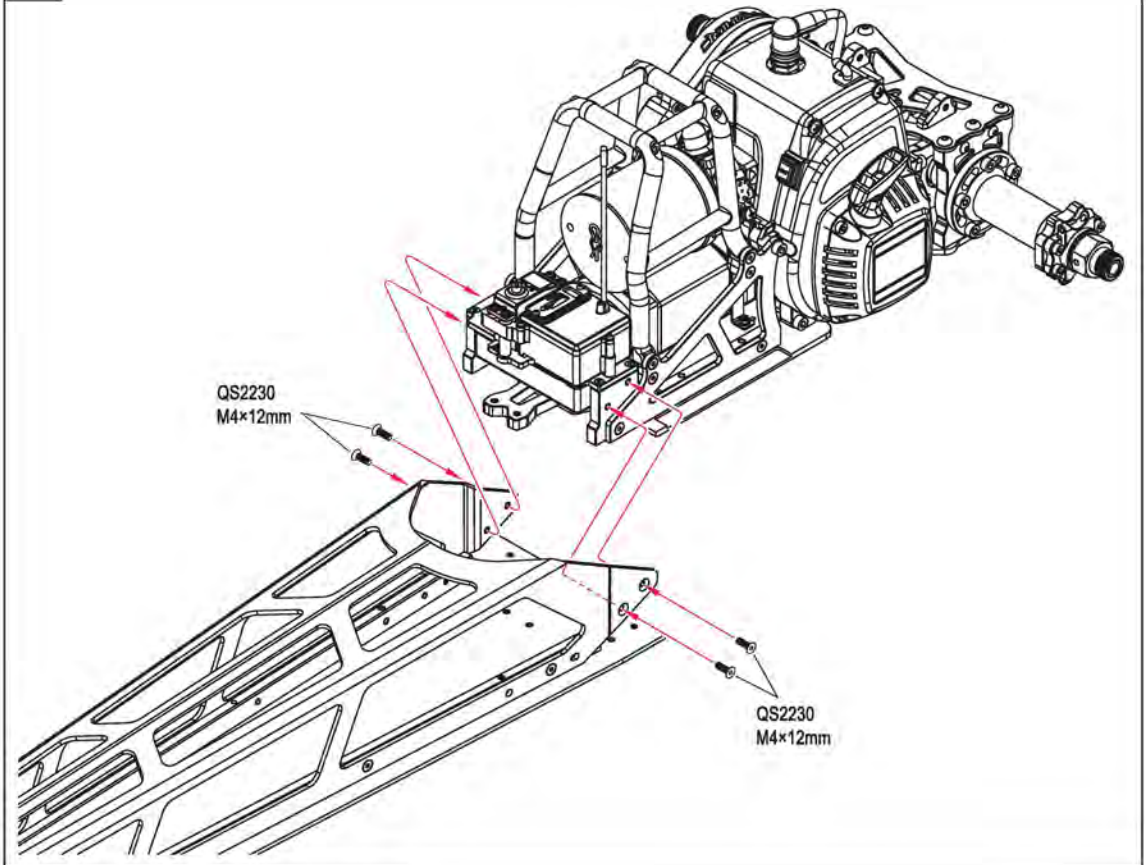


### 33 Chassis Assembly



QS2230  
M4x12mm

x4



### 34 Chassis Assembly



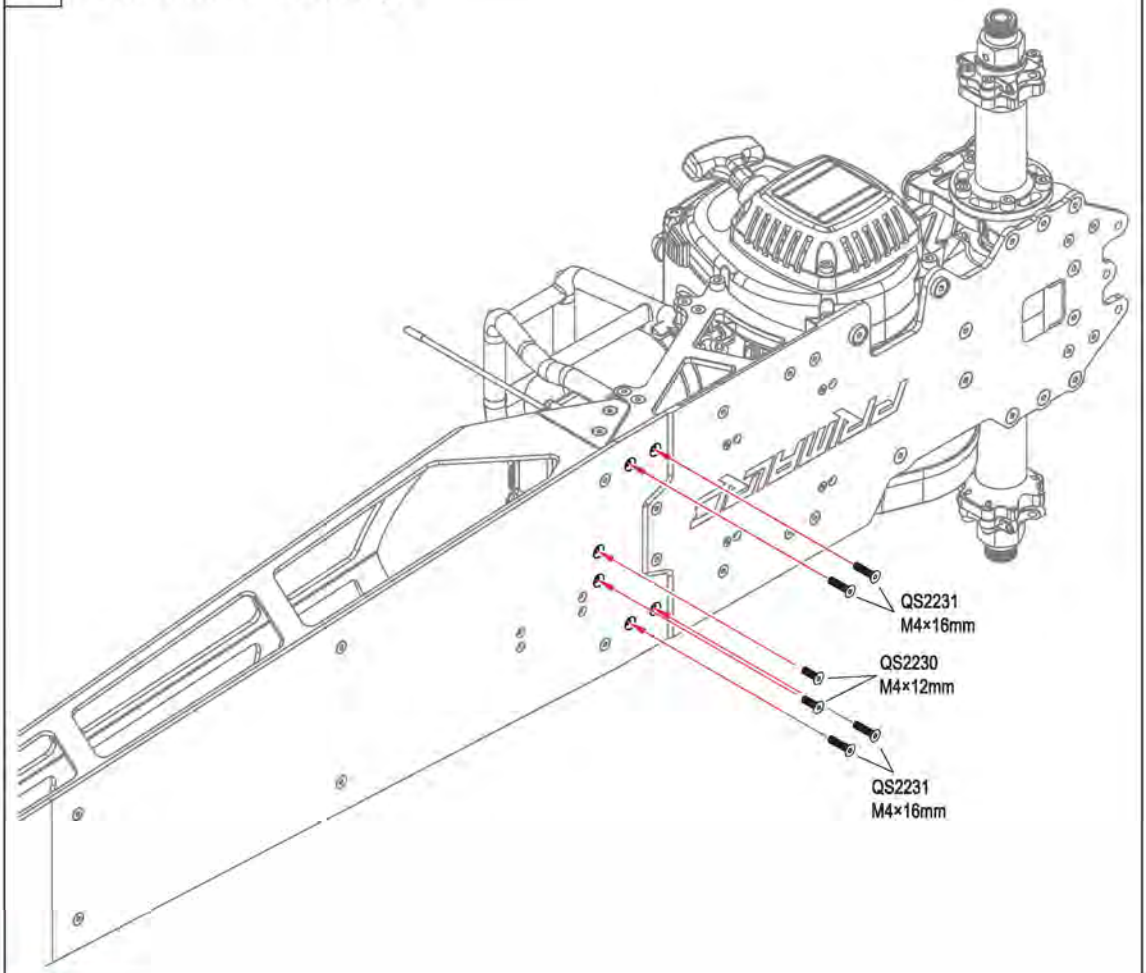
QS2231  
M4x16mm

x4

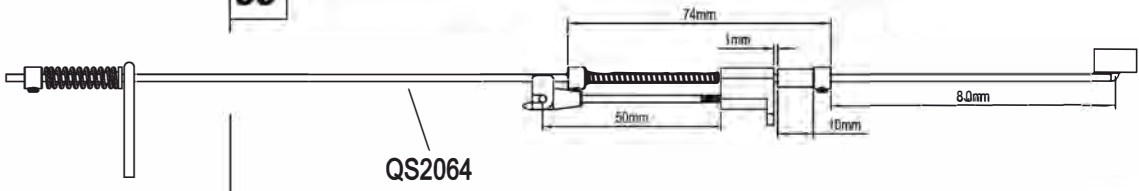


QS2230  
M4x12mm


x2



35



QS2064

 **QS2242** x3  
M3x3mm



Throttle linkage

QS2242 M3x3mm  
Stop collar 2.3x6x5mm

Silicone tube

Throttle linkage set

Throttle linkage

Throttle linkage set

QS2242 M3x3mm  
Spring

Spring

Stop collar 2.3x6x5mm


Brake arm

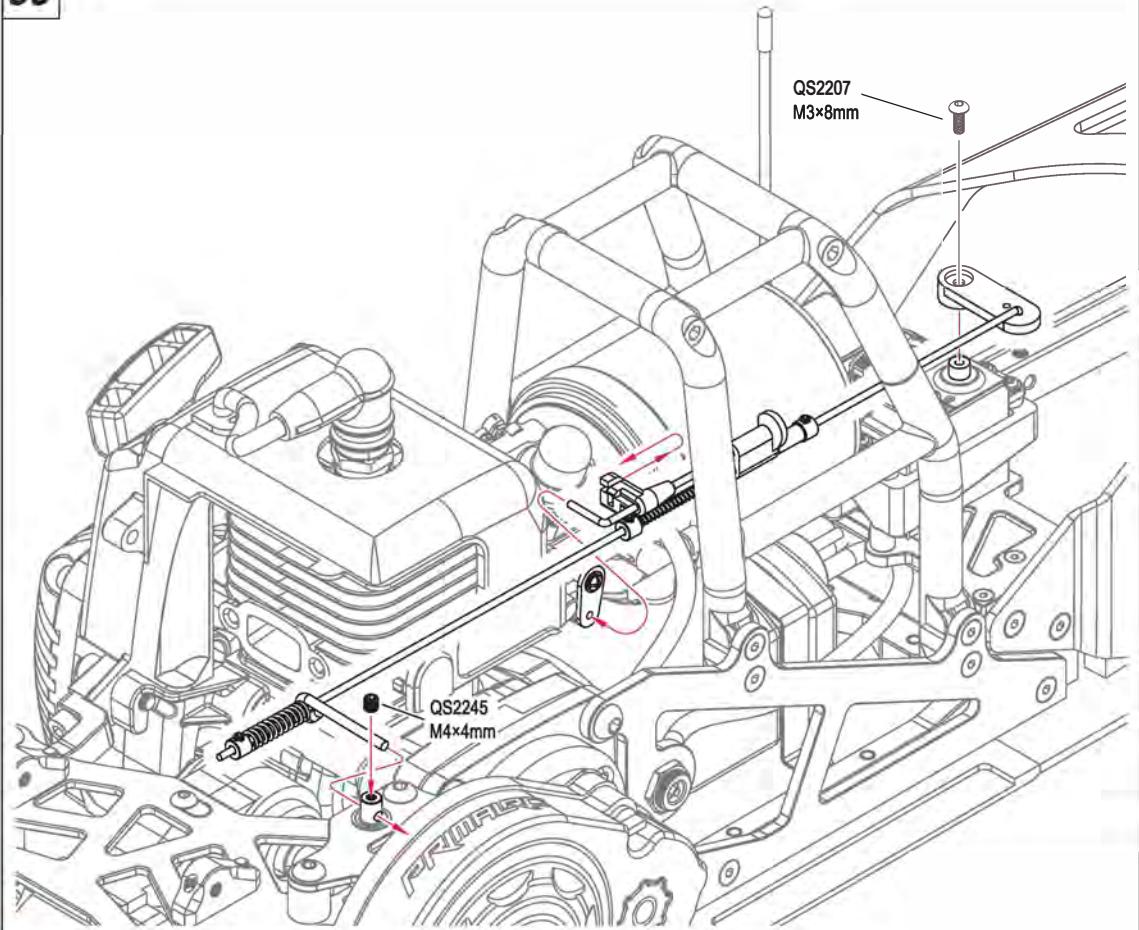
Throttle linkage set

QS2242 M3x3mm  
Spring  
Stop collar 2.3x6x5mm

36

 **QS2207** x1  
M3x8mm

 **QS2245** x1  
M4x4mm



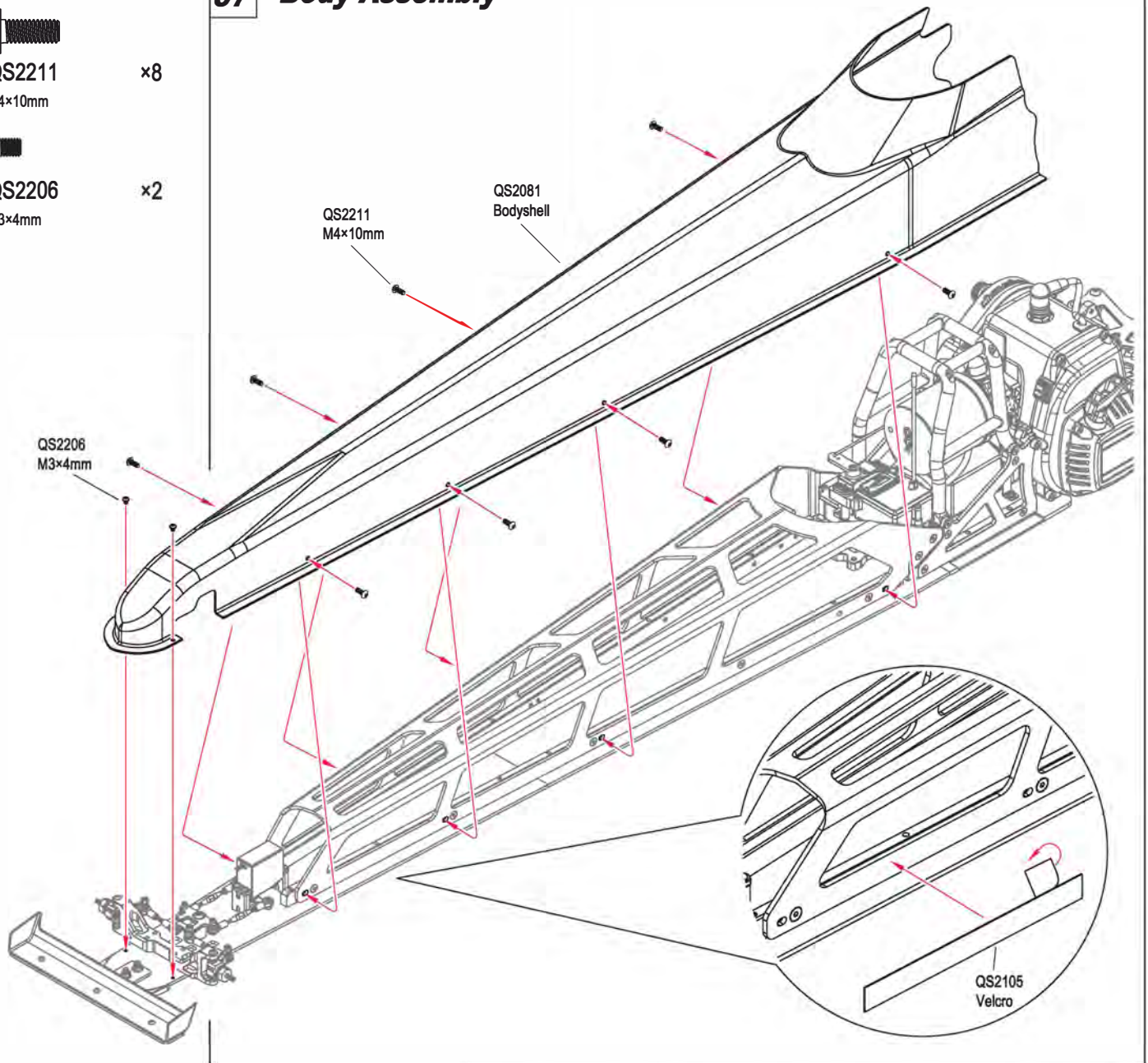
# 37 Body Assembly



QS2211  
M4x10mm  
x8



QS2206  
M3x4mm  
x2



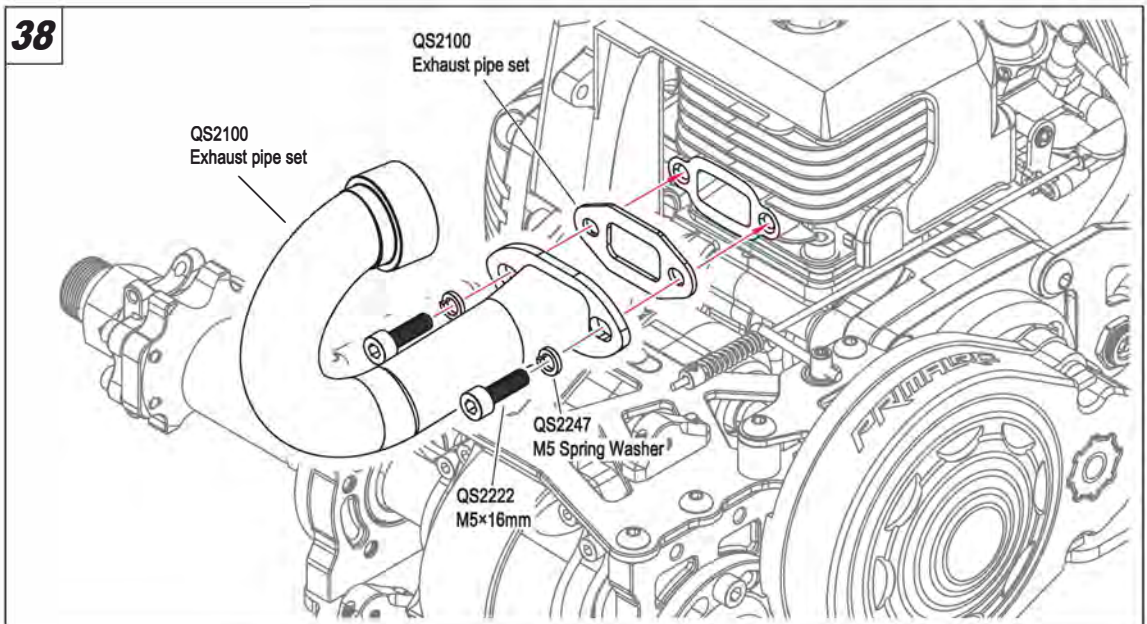
# 38



QS2222  
M5x16mm  
x2



QS2247  
M5 Spring Washer  
x2





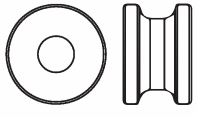
QS2091 x1  
6mm Body Clip



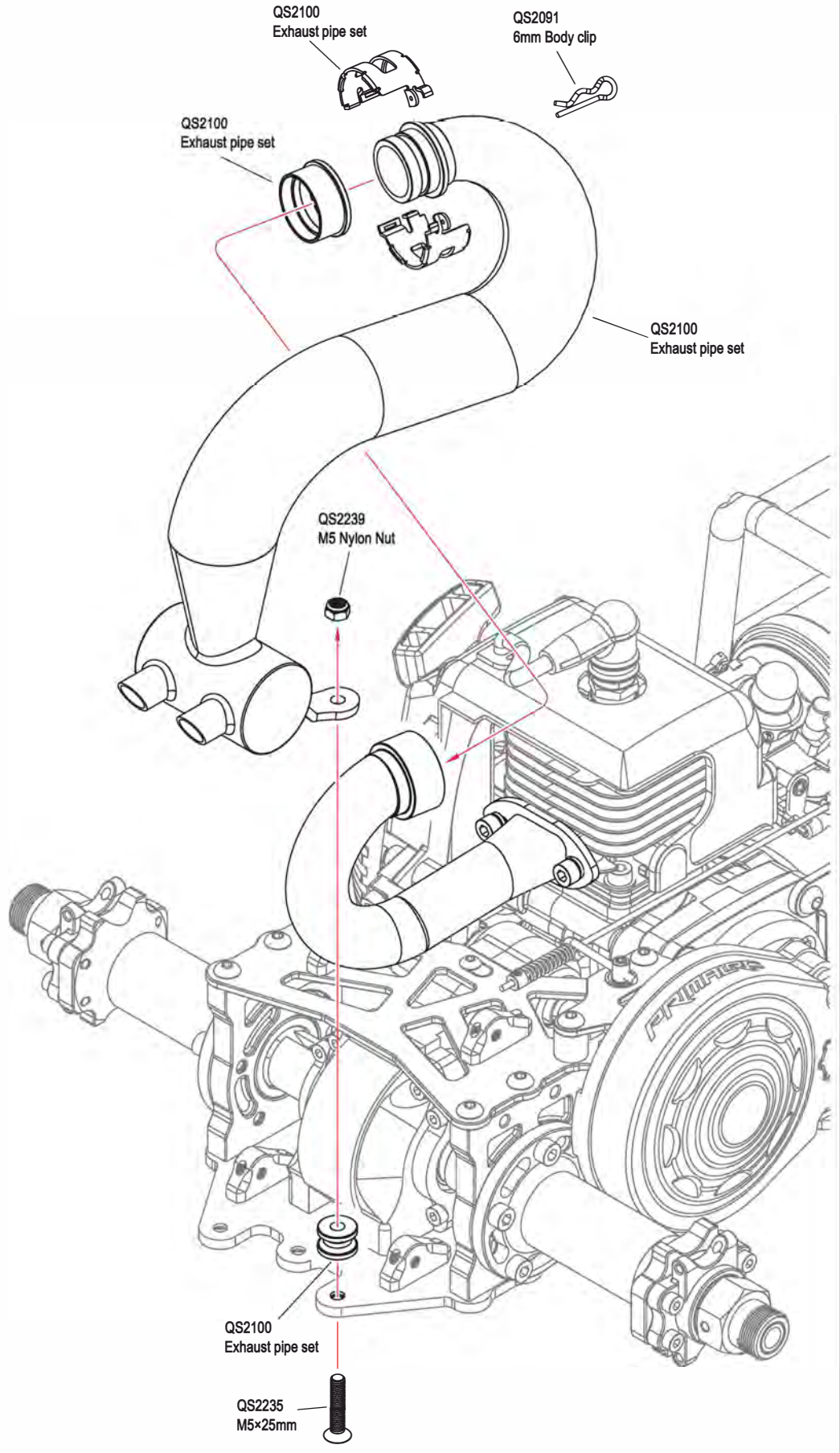
QS2239 x1  
M5 Nylon Nut



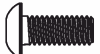

QS2235 x1  
M5x25mm

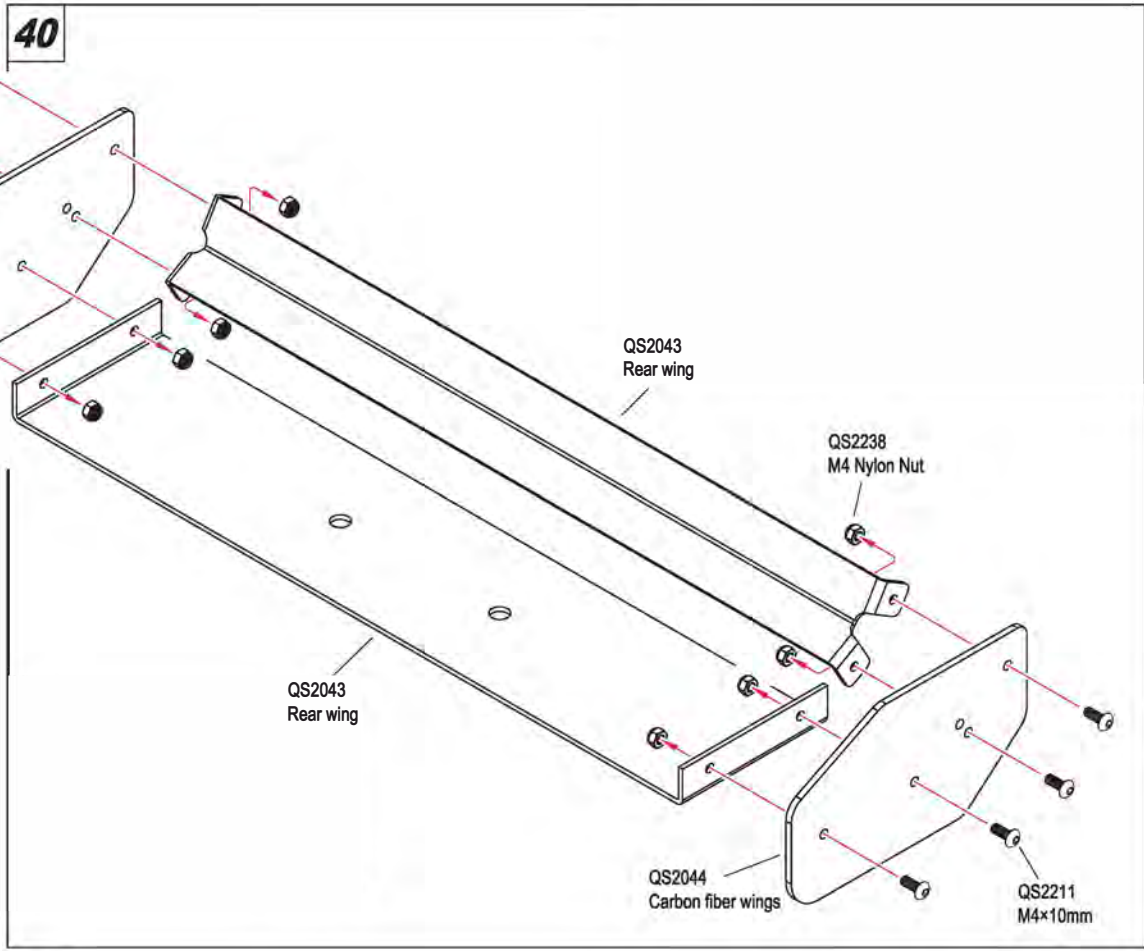


QS2100 x1  
10mm Spacer





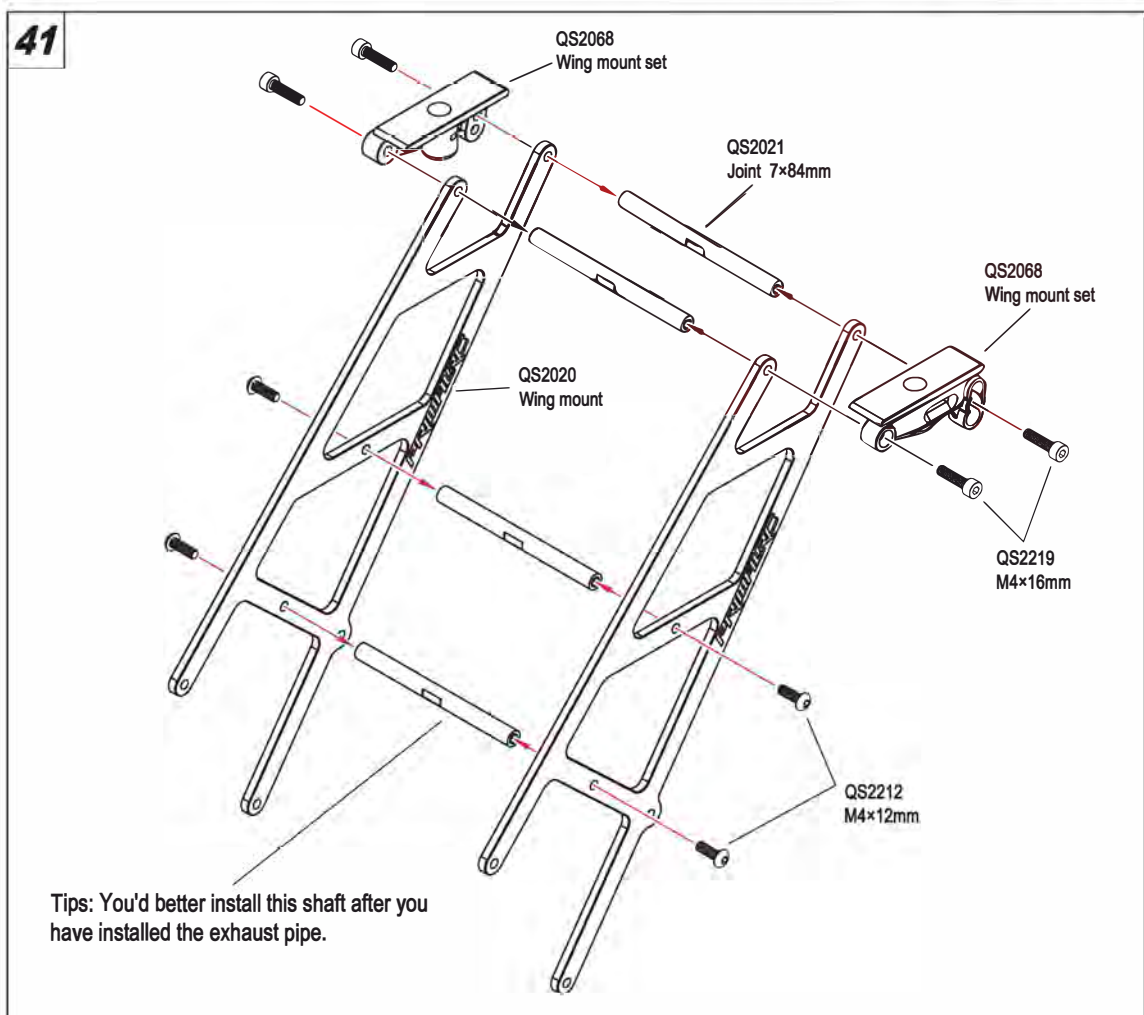
40

-  **QS2211** x8  
M4x10mm
-  **QS2238** x8  
M4 Nylon Nut



41

-  **QS2212** x4  
M4x12mm
-  **QS2219** x4  
M4x16mm



Tips: You'd better install this shaft after you have installed the exhaust pipe.

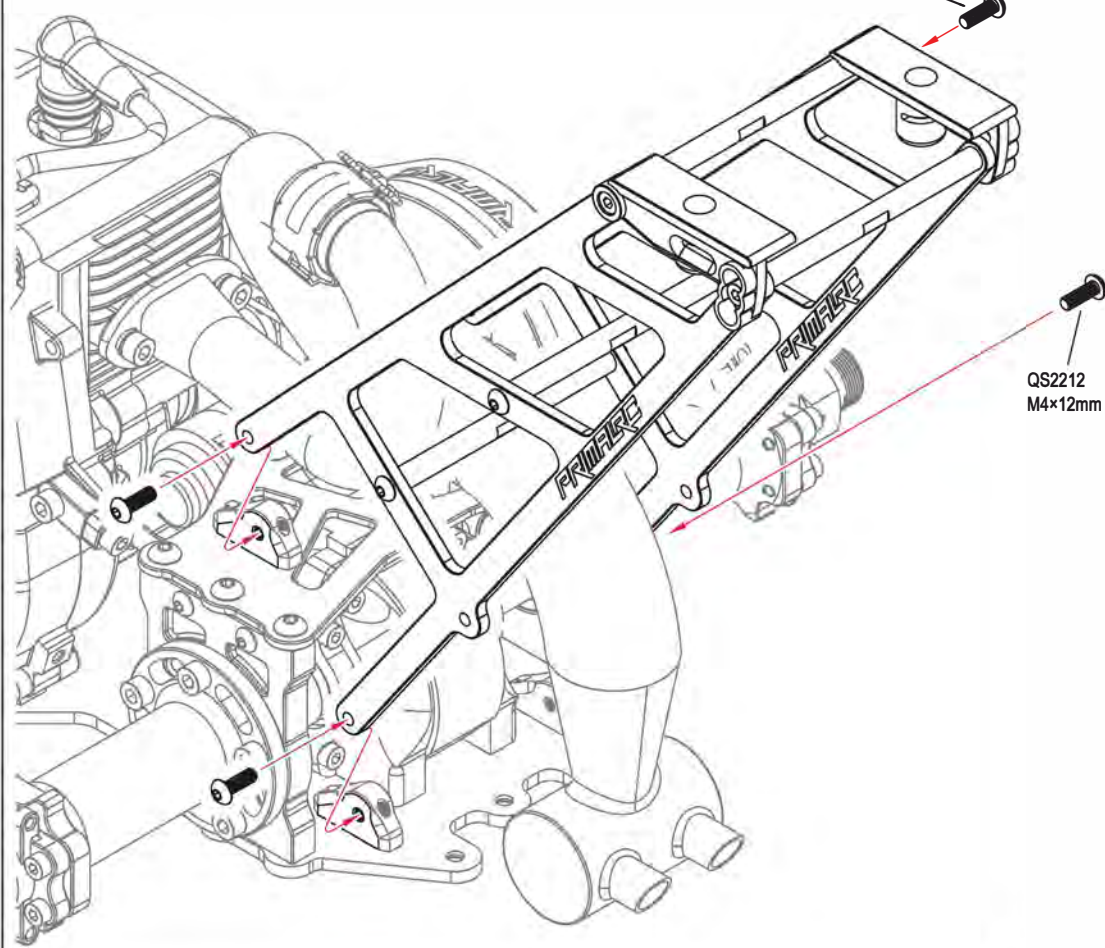


QS2212

M4x12mm

×4

42

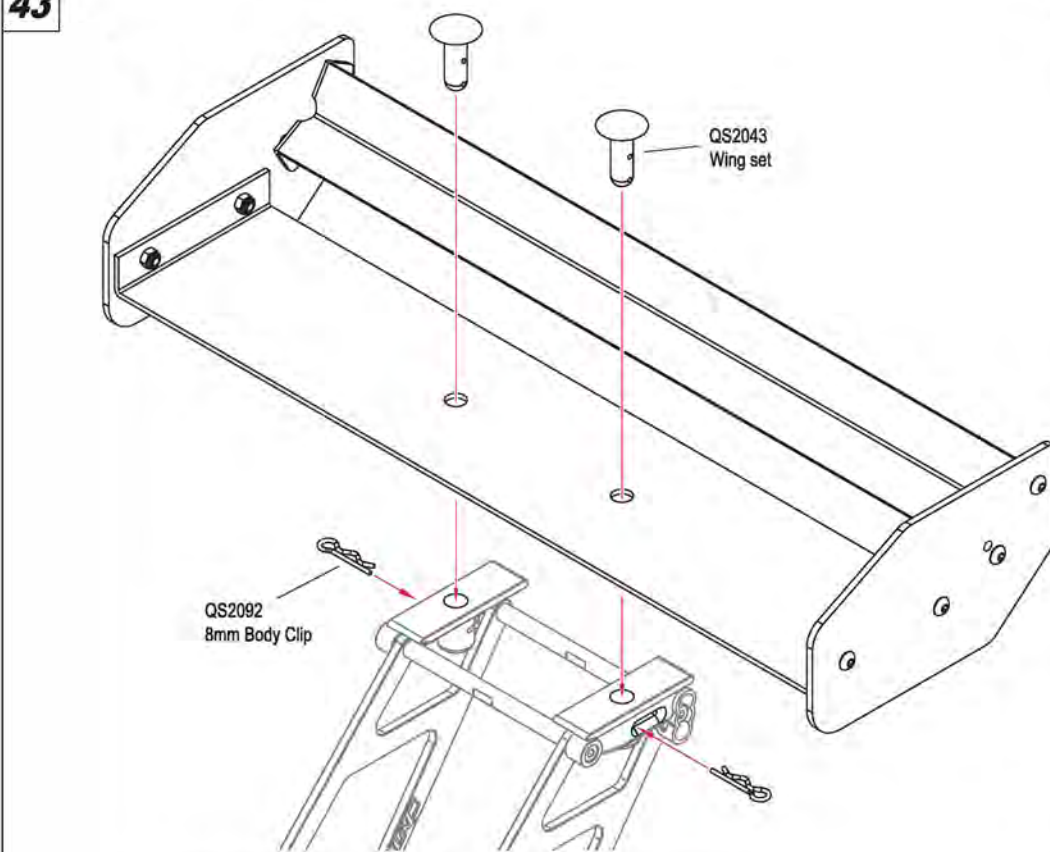


QS2092

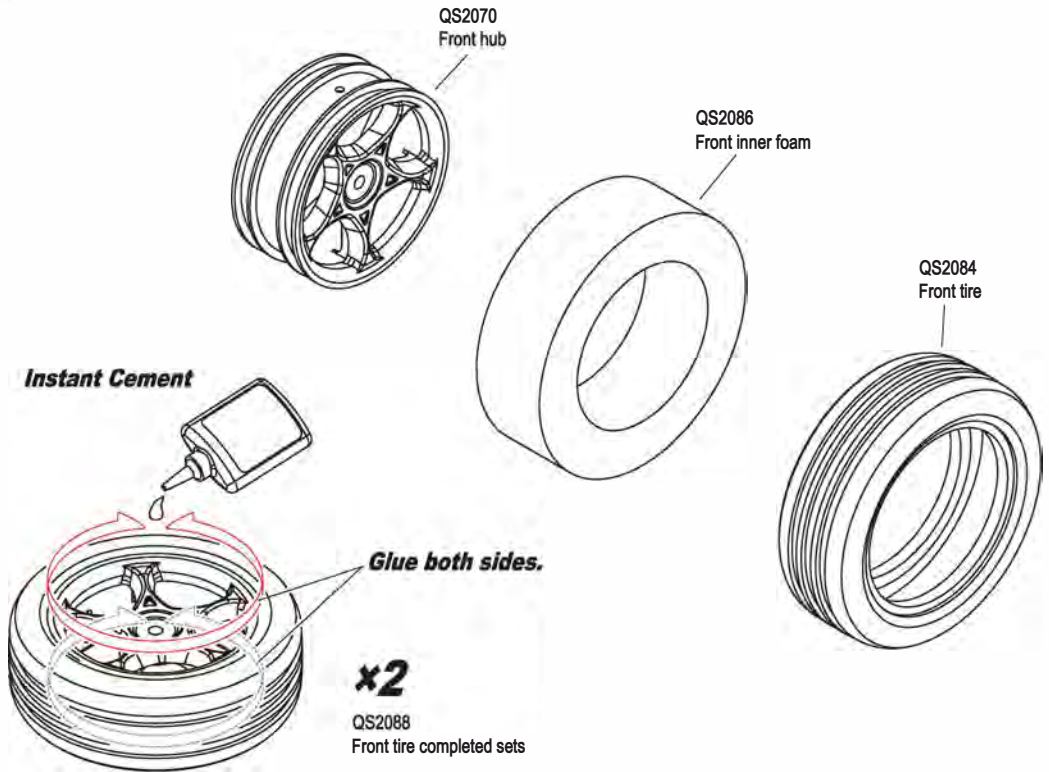
8mm Body Clip

×2

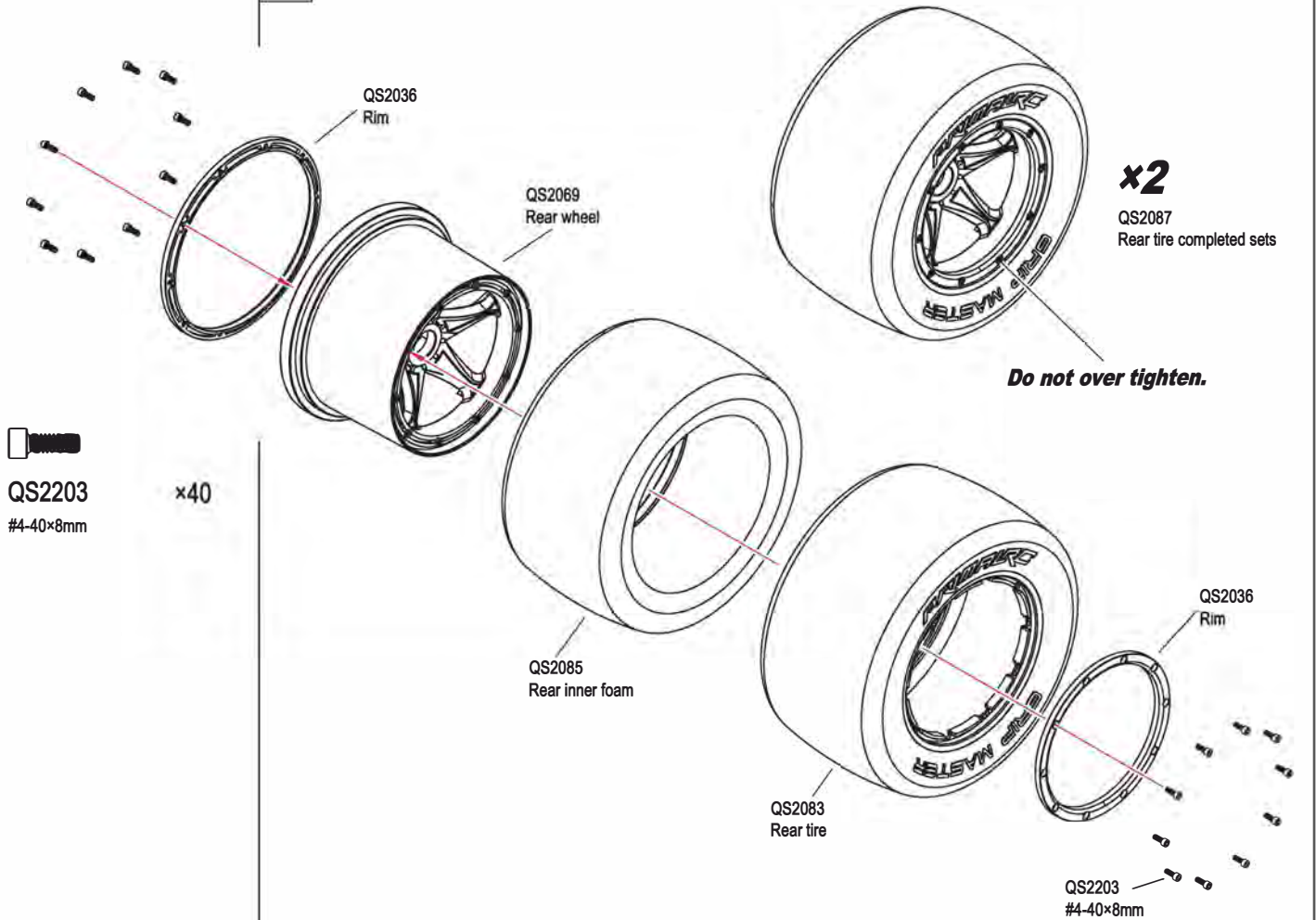
43



## 44 Front Tire



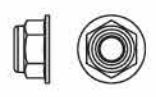
## 45 Rear Tire



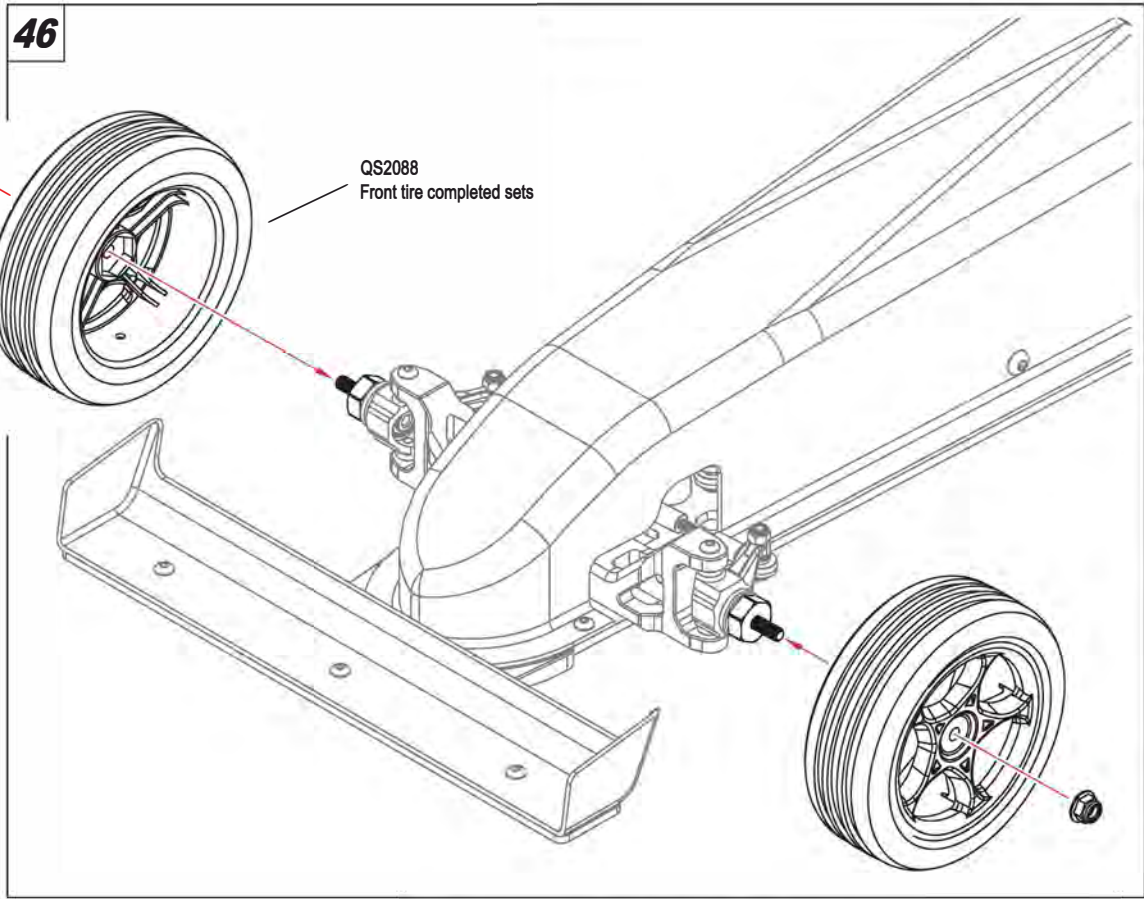
46

QS2241  
M4 Flanged Nylon Nut

QS2088  
Front tire completed sets



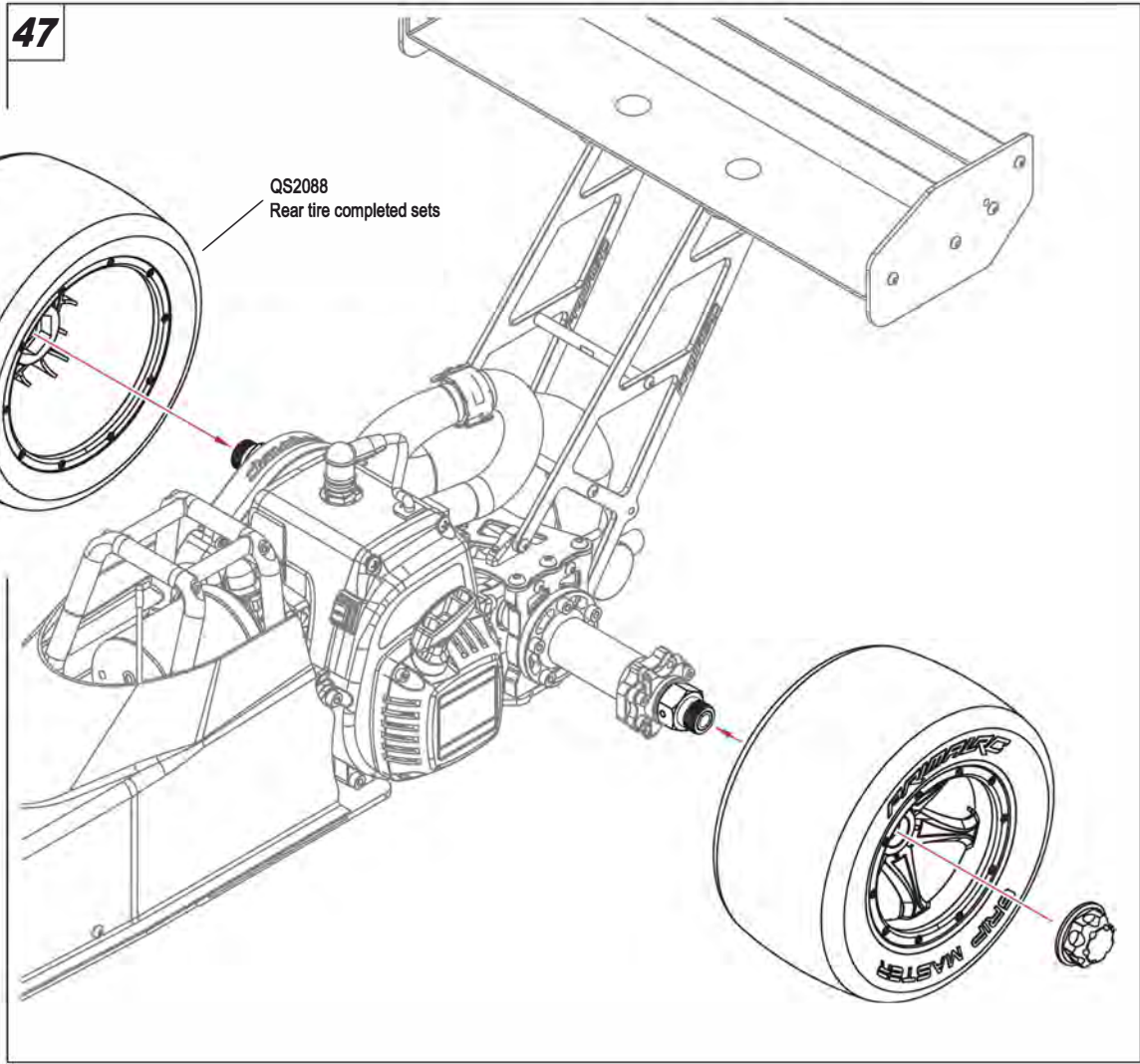
QS2241  
M4 Flanged Nylon Nut  
x2



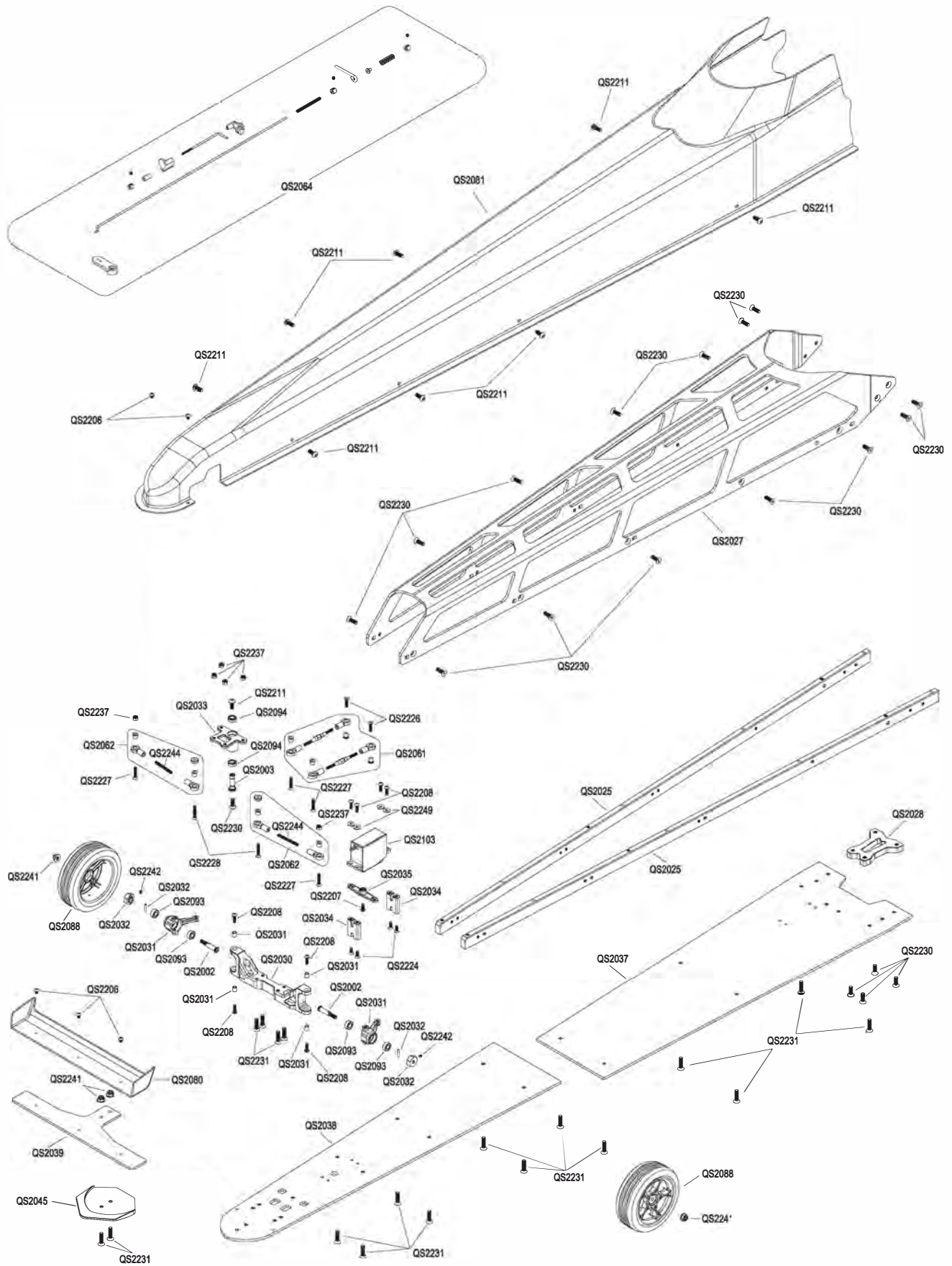
47

QS2119  
Wheel Nut 24mm

QS2088  
Rear tire completed sets



# Exploded View





# Parts list

Part #	QTY	Description	Part #	QTY	Description
QS2001	2	Drive shaft 15x88mm	QS2086	2	Front inner foam
QS2002	2	Front axle	QS2087	2	Rear tire completed sets
QS2003	1	Steering post	QS2088	2	Front tire completed sets
QS2004	1	Pinion gear 19 tooth	QS2089	1	Power switch
QS2005	1	Pinion gear 20 tooth	QS2090	10	Gummed wire clamp
QS2006	1	Pinion gear 21 tooth	QS2091	1	06mm body clip
QS2007	1	Pinion gear 22 tooth	QS2092	10	8mm body clip
QS2008	1	Pinion gear 23 tooth	QS2093	4	Bearing 5x10x4mm
QS2009	1	Pinion gear 24 tooth	QS2094	4	Bearing 6x10x3mm
QS2010	1	Fuel tank mount	QS2095	4	Flanged bearing 6x10x3mm
QS2011	1	Rear chassis plate	QS2096	9	Bearing 12x24x6mm
QS2012	1	Gear mount	QS2097	2	Bearing 17x30x7mm
QS2013	1	Rear arm mounting seat	QS2098	2	Bearing 20x32x7mm
QS2014	1	Rear arm	QS2099	1	Engine
QS2015	1	Rear upper plate	QS2100	1	Exhaust pipe
QS2016	1	Brake holder plate	QS2101	1	Antenna pipe
QS2017	1	Spacer set	QS2102	1	Transmitter
QS2018	1	Brake cam	QS2103	1	No.712 servo
QS2019	4	Rear wing mounting seat	QS2104	1	1800mAh Ni-MH battery
QS2020	2	Wing mount	QS2105	1	Velcro 700mm
QS2021	4	Joint 7x84mm	QS2106	1	Fuel tank set
QS2022	1	Engine mount brace-R	QS2107	1	Petrol pump mount
QS2023	1	Engine mount brace-L	QS2108	1	Fuel tank 3 liters
QS2024	2	Reinforcement plate	QS2109	1	Petrol pump
QS2025	2	Chassis reinforcement bar	QS2110	1	Wrench
QS2026	1	Receiver box base	QS2111	1	Wheel wrench
QS2027	1	Frame cage	QS2112	1	Carburetor
QS2028	1	Chassis joint block	QS2113	1	Completed gear set
QS2029	1	Engine mount set	QS2114	1	Stripes Sticker
QS2030	1	Front suspension arm	QS2115	1	Lightning Sticker
QS2031	2	Front hub carrier	QS2116	2	Receiver extension wire
QS2032	2	Front hex hub 12mm	QS2117	1	Charger
QS2033	1	Steering system	QS2118	1	Oil pipe clamp
QS2034	2	Servo mount	QS2119	1	Wheel nut 24mm
QS2035	1	Servo arm	QS2120	1	Spacer set for Zenoah Engine
QS2036	2	Rim	QS2201	10	M4 locking washer
QS2037	1	Chassis 1	QS2202	10	E-Clip 7x14x1mm
QS2038	1	Chassis 2	QS2203	10	#4-40x8 Cap head screw
QS2039	1	Front wing mount	QS2204	10	M2.5x6 Button head screw
QS2040	1	Gear cover set	QS2205	10	M2.5x10 Button head screw
QS2041	1	One way filling valve	QS2206	10	M3x4 Button head screw
QS2042	1	Alloy clutch housing	QS2207	10	M3x8 Button head screw
QS2043	1	Rear wing set	QS2208	10	M3x10 Button head screw
QS2044	2	Carbon fiber wings	QS2209	10	M3x14 Button head screw
QS2045	1	Front chassis cover	QS2210	10	M4x6 Button head screw
QS2046	2	Diff shaft	QS2211	10	M4x10 Button head screw
QS2047	1	Gear box set	QS2212	10	M4x12 Button head screw
QS2048	1	Gear plate set	QS2213	10	M4x16 Button head screw
QS2049	1	Brake disk set	QS2214	10	M5x12 Button head screw
QS2050	1	Gear 48 tooth	QS2215	10	M5x25 Button head screw
QS2051	1	Drive gear 20 tooth	QS2216	10	M6x20 Button head screw
QS2052	1	Idle gear 30 tooth	QS2217	10	M4x6 Cap head screw
QS2053	2	Wheel hex hub 24mm	QS2218	10	M4x14 Cap head screw
QS2054	2	Drive axle	QS2219	10	M4x16 Cap head screw
QS2055	1	Brake pad set	QS2220	10	M4x45 Cap head screw
QS2056	1	Disc brake hub	QS2221	10	M5x14 Cap head screw
QS2057	1	Spacer set for Chung Yang Engine	QS2222	10	M5x16 Cap head screw
QS2058	1	Clutch bell	QS2223	10	M5x20 Cap head screw
QS2059	1	Drive gear shaft	QS2224	10	M3x8 Flat head screw
QS2060	1	Rear hub carrier	QS2225	10	M3x10 Flat head screw
QS2061	2	Turnbuckle for servo	QS2226	10	M3x12 Flat head screw
QS2062	2	Turnbuckle for steering	QS2227	10	M3x16 Flat head screw
QS2063	2	Wheel nut 22mm	QS2228	10	M3x18 Flat head screw
QS2064	1	Throttle linkage set	QS2229	10	M4x10 Flat head screw
QS2065	1	Spur gear mount set	QS2230	10	M4x12 Flat head screw
QS2066	1	Air filter sleeve set	QS2231	10	M4x16 Flat head screw
QS2067	1	Air filter foam element	QS2232	10	M5x12 Flat head screw
QS2068	1	Wing mount set	QS2233	10	M5x14 Flat head screw
QS2069	2	Rear wheel	QS2234	10	M5x20 Flat head screw
QS2070	2	Front hub	QS2235	10	M5x25 Flat head screw
QS2071	1	Roll cage set	QS2236	10	M6x16 Flat head screw
QS2072	1	Receiver box set	QS2237	10	M3 Nylon nut
QS2073	1	Spur gear holder	QS2238	10	M4 Nylon nut
QS2074	1	Spur gear 55 tooth	QS2239	10	M5 Nylon nut
QS2075	1	Spur gear 54 tooth	QS2240	10	M3 Flanged nylon nut
QS2076	1	Spur gear 53 tooth	QS2241	10	M4 Flanged nylon nut
QS2077	1	Spur gear 52 tooth	QS2242	10	M3x3 Set screw
QS2078	1	Spur gear 51 tooth	QS2243	10	M3x8 Set screw
QS2079	1	Spur gear 50 tooth	QS2244	10	M3x30 Set screw
QS2080	1	Front wing	QS2245	10	M4x4 Set screw
QS2081	1	Bodyshell	QS2246	10	M4 Spring washer
QS2082	1	Fuel tank 280cc	QS2247	10	M5 Spring washer
QS2083	2	Rear tire	QS2248	10	ST3x12 Tp.Flanged screw
QS2084	2	Front tire	QS2249	10	Washer 3x8x1mm
QS2085	2	Rear inner foam			



**PRIMALRC.COM**