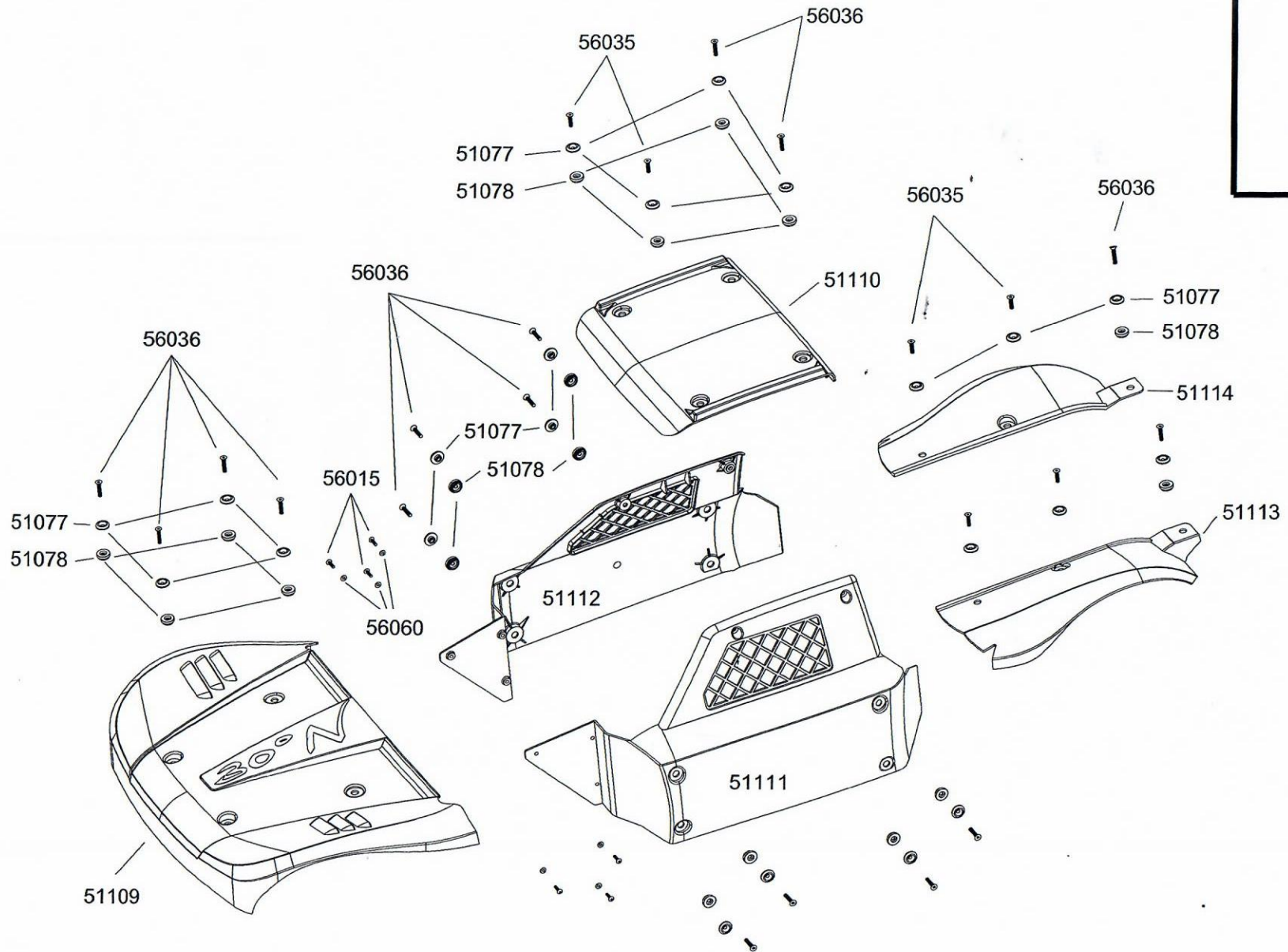




Assembly Drawing(shell)



- 51077-22PC
- 51078-18PC
- 56015-M3x1
- 56035-M4x1
- 56036-M4x2
- 56060- ϕ 3x7;

30°N[®]

Assembly Drawing(Roll cage)

- 56008-M4x40
- 56019-M4x16
- 56021-M4x25
- 56022-M4x30
- 56023-M4x35
- 56024-M4x40
- 56025-M4x45

